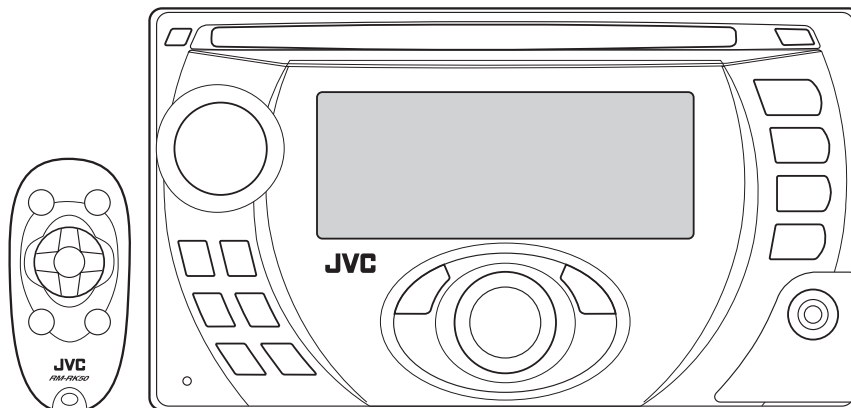


JVC

SERVICE MANUAL

CD RECEIVER

**KW-XG500J, KW-XG504UI, KW-XG505U,
KW-XG505UN, KW-XG505UH, KW-XG506U,
KW-XG506UN, KW-XG506UH, KW-XG508UF**



(for KW-XG500)



WMA

MP3

* Please refer to the mechanism manual (model TN2007-1010 ([No.MY005](#) and [No.MY005B](#))) for the CD mechanism.
Lead free solder used in the board (material : Sn-Ag-Cu, melting point : 219 Centigrade)
Lead free solder used in the board (material : Sn-Cu, melting point : 230 Centigrade)

TABLE OF CONTENTS

1	PRECAUTIONS	1-6
2	SPECIFIC SERVICE INSTRUCTIONS	1-9
3	DISASSEMBLY	1-10
4	ADJUSTMENT	1-14
5	TROUBLESHOOTING	1-15

SPECIFICATION

KW-XG500

AUDIO AMPLIFIER SECTION		
Power Output		20 W RMS × 4 Channels at 4 Ω and [\leq] 1% THD+N
Signal to Noise Ratio		80 dBA (reference: 1 W into 4 Ω)
Load Impedance		4 Ω (4 Ω to 8 Ω allowance)
Tone Control Range	Bass	±12 dB at 60 Hz
	Mid-range	±12 dB at 1 kHz
	Treble	±12 dB at 10 kHz
Frequency Response		40 Hz to 20 000 Hz
Line-Out Level/Impedance		2.5 V/20 kΩ load (full scale)
Output Impedance		1 kΩ
Subwoofer-Out Level/Impedance		2.5 V/20 kΩ load (full scale)
Other Terminal		CD changer, Steering wheel remote input, Subwoofer input, AUX (auxilliary) input jack
TUNER SECTION		
Frequency Range	FM	87.5 MHz to 107.9 MHz (with channel interval set to 100 kHz or 200 kHz) 87.5 MHz to 108.0 MHz (with channel interval set to 50 kHz)
	AM	530 kHz to 1 710 kHz (with channel interval set to 10 kHz) 531 kHz to 1 602 kHz (with channel interval set to 9 kHz)
FM Tuner	Usable Sensitivity	11.3 dBf (1.0 μV/75 Ω)
	50 dB Quieting Sensitivity	16.3 dBf (1.8 μV/75 Ω)
	Alternate Channel Selectivity (400 kHz)	65 dB
	Frequency Response	40 Hz to 15 000 Hz
	Stereo Separation	35 dB
AM Tuner	Sensitivity	20 μV
	Selectivity	35 dB
CD PLAYER SECTION		
Type		Compact disc player
Signal Detection System		Non-contact optical pickup (semiconductor laser)
Number of Channels		2 channels (stereo)
Frequency Response		5 Hz to 20 000 Hz
Dynamic Range		96 dB
Signal-to-Noise Ratio		98 dB
Wow and Flutter		Less than measurable limit
MP3 Decoding Format: (MPEG1/2 Audio Layer 3)		Max. Bit Rate: 320 kbps
WMA (Windows Media® Audio) Decoding Format		Max. Bit Rate: 192 kbps
GENERAL		
Power Requirement	Operating Voltage	DC 14.4 V (11 V to 16 V allowance)
Grounding System		Negative ground
Allowable Operating Temperature		0°C to +40°C (32°F to 104°F)
Dimensions (W × H × D) (approx.)	Installation Size	178 mm × 100 mm × 158 mm (7-1/16" × 3-15/16" × 6-1/4")
	Set Size	178 mm × 100 mm × 178 mm (7-1/16" × 3-15/16" × 7-1/16")
Mass		1.8 kg (4.0 lbs) (excluding accessories)

Design and specifications are subject to change without notice.

KW-XG504

AUDIO AMPLIFIER SECTION		
Maximum Power Output	Front and rear	50 W per channel
Continuous Power Output (RMS)	Front and rear	19 W per channel into 4 Ω , 40 Hz to 20 000 Hz at no more than 0.8% total harmonic distortion.
Load Impedance		4 Ω (4 Ω to 8 Ω allowance)
Tone Control Range	Bass	± 12 dB at 60 Hz
	Mid-range	± 12 dB at 1 kHz
	Treble	± 12 dB at 10 kHz
Frequency Response		40 Hz to 20 000 Hz
Line-Out Level/Impedance		2.5 V/20 k Ω load (full scale)
Output Impedance		1 k Ω
Subwoofer-Out Level/Impedance		2.5 V/20 k Ω load (full scale)
Other Terminal		CD changer, Subwoofer input, AUX (auxilliary) input jack
TUNER SECTION		
Frequency Range	FM	87.5 MHz to 108.0 MHz
	AM	531 kHz to 1 602 kHz
FM Tuner	Usable Sensitivity	11.3 dBf (1.0 μ V/75 Ω)
	50 dB Quieting Sensitivity	16.3 dBf (1.8 μ V/75 Ω)
	Alternate Channel Selectivity (400 kHz)	65 dB
	Frequency Response	40 Hz to 15 000 Hz
	Stereo Separation	30 dB
AM Tuner	Sensitivity	20 μ V
	Selectivity	35 dB
CD PLAYER SECTION		
Type		Compact disc player
Signal Detection System		Non-contact optical pickup (semiconductor laser)
Number of Channels		2 channels (stereo)
Frequency Response		5 Hz to 20 000 Hz
Dynamic Range		96 dB
Signal-to-Noise Ratio		98 dB
Wow and Flutter		Less than measurable limit
MP3 Decoding Format: (MPEG1/2 Audio Layer 3)		Max. Bit Rate: 320 kbps
WMA (Windows Media® Audio) Decoding Format		Max. Bit Rate: 192 kbps
GENERAL		
Power Requirement	Operating Voltage	DC 14.4 V (11 V to 16 V allowance)
Grounding System		Negative ground
Allowable Operating Temperature		0°C to +40°C
Dimensions (W \times H \times D) (approx.)	Installation Size	178 mm \times 100 mm \times 158 mm
	Set Size	178 mm \times 100 mm \times 178 mm
Mass		1.8 kg (excluding accessories)

Design and specifications are subject to change without notice.

KW-XG506/KW-XG505

AUDIO AMPLIFIER SECTION		
Maximum Power Output	Front and rear	50 W per channel
Continuous Power Output (RMS)	Front and rear	19 W per channel into 4 Ω , 40 Hz to 20 000 Hz at no more than 0.8% total harmonic distortion.
Load Impedance		4 Ω (4 Ω to 8 Ω allowance)
Tone Control Range	Bass	± 12 dB at 60 Hz
	Mid-range	± 12 dB at 1 kHz
	Treble	± 12 dB at 10 kHz
Frequency Response		40 Hz to 20 000 Hz
Line-Out Level/Impedance		2.5 V/20 k Ω load (full scale)
Output Impedance		1 k Ω
Subwoofer-Out Level/Impedance		2.5 V/20 k Ω load (full scale)
Other Terminal		CD changer, Subwoofer input, AUX (auxilliary) input jack
TUNER SECTION		
Frequency Range	FM	87.5 MHz to 108.0 MHz
	AM	531 kHz to 1 602 kHz
FM Tuner	Usable Sensitivity	11.3 dBf (1.0 μ V/75 Ω)
	50 dB Quieting Sensitivity	16.3 dBf (1.8 μ V/75 Ω)
	Alternate Channel Selectivity (400 kHz)	65 dB
	Frequency Response	40 Hz to 15 000 Hz
	Stereo Separation	30 dB
AM Tuner	Sensitivity	20 μ V
	Selectivity	35 dB
CD PLAYER SECTION		
Type		Compact disc player
Signal Detection System		Non-contact optical pickup (semiconductor laser)
Number of Channels		2 channels (stereo)
Frequency Response		5 Hz to 20 000 Hz
Dynamic Range		96 dB
Signal-to-Noise Ratio		98 dB
Wow and Flutter		Less than measurable limit
MP3 Decoding Format: (MPEG1/2 Audio Layer 3)		Max. Bit Rate: 320 kbps
WMA (Windows Media® Audio) Decoding Format		Max. Bit Rate: 192 kbps
GENERAL		
Power Requirement	Operating Voltage	DC 14.4 V (11 V to 16 V allowance)
Grounding System		Negative ground
Allowable Operating Temperature		0°C to +40°C
Dimensions (W \times H \times D) (approx.)	Installation Size	178 mm \times 100 mm \times 158 mm
	Set Size	178 mm \times 100 mm \times 178 mm
Mass		1.8 kg (excluding accessories)

Design and specifications are subject to change without notice.


KW-XG508

AUDIO AMPLIFIER SECTION		
Maximum Power Output	Front and rear	50 W per channel
Continuous Power Output (RMS)	Front and rear	19 W per channel into 4 Ω , 40 Hz to 20 000 Hz at no more than 0.8% total harmonic distortion.
Load Impedance		4 Ω (4 Ω to 8 Ω allowance)
Tone Control Range	Bass	± 12 dB at 60 Hz
	Mid-range	± 12 dB at 1 kHz
	Treble	± 12 dB at 10 kHz
Frequency Response		40 Hz to 20 000 Hz
Signal-to-Noise Ratio		70 dB
Line-Out Level/Impedance		2.5 V/20 k Ω load (full scale)
Output Impedance		1 k Ω
Subwoofer-Out Level/Impedance		2.5 V/20 k Ω load (full scale)
Other Terminal		CD changer, Subwoofer input, AUX (auxilliary) input jack
TUNER SECTION		
Frequency Range	FM	87.5 MHz to 108.0 MHz
	AM	531 kHz to 1 602 kHz
FM Tuner	Usable Sensitivity	11.3 dBf (1.0 μ V/75 Ω)
	50 dB Quieting Sensitivity	16.3 dBf (1.8 μ V/75 Ω)
	Alternate Channel Selectivity (400 kHz)	65 dB
	Frequency Response	40 Hz to 15 000 Hz
	Stereo Separation	30 dB
AM Tuner	Sensitivity	20 μ V
	Selectivity	35 dB
CD PLAYER SECTION		
Type		Compact disc player
Signal Detection System		Non-contact optical pickup (semiconductor laser)
Number of Channels		2 channels (stereo)
Frequency Response		5 Hz to 20 000 Hz
Dynamic Range		96 dB
Signal-to-Noise Ratio		98 dB
Wow and Flutter		Less than measurable limit
MP3 Decoding Format: (MPEG1/2 Audio Layer 3)		Max. Bit Rate: 320 kbps
WMA (Windows Media® Audio) Decoding Format		Max. Bit Rate: 192 kbps
GENERAL		
Power Requirement	Operating Voltage	DC 14.4 V (11 V to 16 V allowance)
Grounding System		Negative ground
Allowable Operating Temperature		0°C to +40°C
Dimensions (W \times H \times D) (approx.)	Installation Size	178 mm \times 100 mm \times 158 mm
	Set Size	178 mm \times 100 mm \times 178 mm
Mass		1.8 kg (excluding accessories)

Design and specifications are subject to change without notice.

SECTION 1 PRECAUTIONS

1.1 Safety Precautions

 **CAUTION** Burrs formed during molding may be left over on some parts of the chassis. Therefore, pay attention to such burrs in the case of performing repair of this system.

 **CAUTION** Please use enough caution not to see the beam directly or touch it in case of an adjustment or operation check.

1.2 Preventing static electricity

Electrostatic discharge (ESD), which occurs when static electricity stored in the body, fabric, etc. is discharged, can destroy the laser diode in the traverse unit (optical pickup). Take care to prevent this when performing repairs.

1.2.1 Grounding to prevent damage by static electricity

Static electricity in the work area can destroy the optical pickup (laser diode) in devices such as CD players.

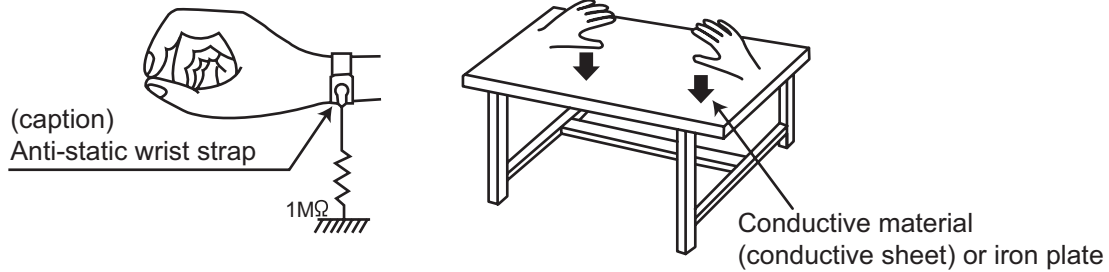
Be careful to use proper grounding in the area where repairs are being performed.

(1) Ground the workbench

Ground the workbench by laying conductive material (such as a conductive sheet) or an iron plate over it before placing the traverse unit (optical pickup) on it.

(2) Ground yourself

Use an anti-static wrist strap to release any static electricity built up in your body.



(3) Handling the optical pickup

- In order to maintain quality during transport and before installation, both sides of the laser diode on the replacement optical pickup are shorted. After replacement, return the shorted parts to their original condition. (Refer to the text.)
- Do not use a tester to check the condition of the laser diode in the optical pickup. The tester's internal power source can easily destroy the laser diode.

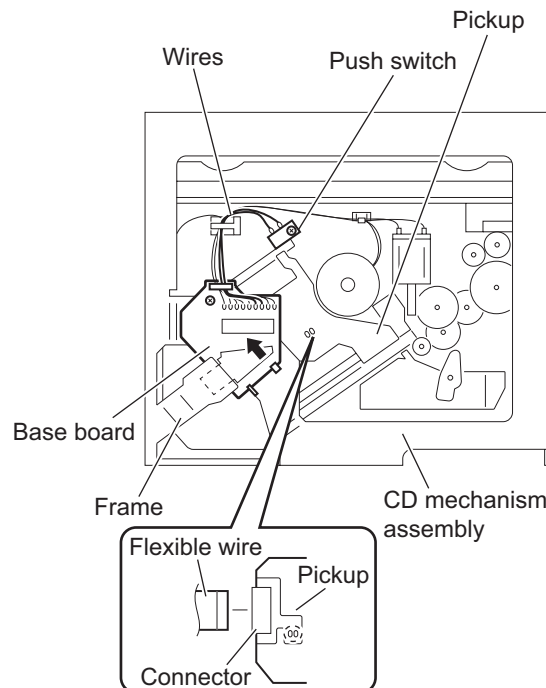
1.3 Handling the traverse unit (optical pickup)

- (1) Do not subject the traverse unit (optical pickup) to strong shocks, as it is a sensitive, complex unit.
- (2) Cut off the shorted part of the flexible cable using nippers, etc. after replacing the optical pickup. For specific details, refer to the replacement procedure in the text. Remove the anti-static pin when replacing the traverse unit. Be careful not to take too long a time when attaching it to the connector.
- (3) Handle the flexible cable carefully as it may break when subjected to strong force.
- (4) It is not possible to adjust the semi-fixed resistor that adjusts the laser power. Do not turn it.

1.4 Attention when traverse unit is decomposed

***Please refer to "Disassembly method" in the text for the CD pickup unit.**

- Apply solder to the short land before the flexible wire is disconnected from the connector on the CD pickup unit. (If the flexible wire is disconnected without applying solder, the CD pickup may be destroyed by static electricity.)
- In the assembly, be sure to remove solder from the short land after connecting the flexible wire.



1.5 Important for laser products

1.CLASS 1 LASER PRODUCT

2.CAUTION :

(For U.S.A.) Visible and/or invisible class II laser radiation when open. Do not stare into beam.

(Others) Visible and/or invisible class 1M laser radiation when open. Do not view directly with optical instruments.

3.CAUTION : Visible and/or invisible laser radiation when open and inter lock failed or defeated. Avoid direct exposure to beam.

4.CAUTION : This laser product uses visible and/or invisible laser radiation and is equipped with safety switches which prevent emission of radiation when the drawer is open and the safety interlocks have failed or are defeated. It is dangerous to defeat the safety switches.

(For U.S.A.)

CAUTION : Visible and/or invisible class II laser radiation when open. Do not stare into beam.

(Others)

CAUTION : Visible and/or invisible class 1M laser radiation when open. Do not view directly with optical instruments

ACHTUNG: Sichtbare und/oder unsichtbare Laserstrahlung der Klasse 1M bei offenen Abdeckungen. Nicht direkt mit optischen Instrumenten betrachten.

ATTENTION: Rayonnement laser visible et/ou invisible de classe 1M une fois ouvert. Ne pas regarder directement avec des instruments optiques.

VOORZICHTIG: Zichtbare en/of onzichtbare klasse 1M laserstralen indien geopend. Bekijk niet direct met optische instrumenten.

ATTENZIONE: Radiazione laser in classe 1M visibile e/o invisibile quando aperto. Non osservare direttamente con strumenti ottici.

WARNING: Synlig och/eller osynlig laserstrålning, klass 1M, när denna del är öppnad. Betrakta ej strålen med optiska instrument.

VARO! Avattaessa olet alttiina nakyyvalle ja/tai näkymättömälle luokan 1M lasersäteilylle. Älä tarkastele sitä optisen laitteen läpi.

ADVASEL: Synlig og/eller usynlig klasse 1M-laserstråling ved åbning. Se ikke direkte med optiske instrumenter.

AVISO: Radiación láser de clase 1M visible y/o invisible cuando está abierto. No mirar directamente con instrumental óptico.

PRECAUÇÃO: Radiação laser de classe 1M visível e/ou invisível quando aberto. Não olhe diretamente com instrumentos ópticos.

5.CAUTION : If safety switches malfunction, the laser is able to function.

6.CAUTION : Use of controls, adjustments or performance of procedures other than those specified here in may result in hazardous radiation exposure.



CAUTION Please use enough caution not to see the beam directly or touch it in case of an adjustment or operation check.

PRECAUÇÃO: Radiação laser de classe 1M visível e/ou invisível quando aberto. Não olhe diretamente com instrumentos ópticos.

ПРЕДУПРЕЖДЕНИЕ: В открытом состоянии происходит видимое и/или невидимое излучение лазера класса 1M. Не смотрите непосредственно в оптические инструменты.

UWAGA: Otwarcie spowoduje narażenie na widzialne i/lub niewidzialne promieniowanie lasera klasy 1M. Nie patrzeć bezpośrednio w przyrządy optyczne.

UPOZORNĚNÍ: Při otevření vydává viditelné popř. neviditelné laserové ozáření třídy 1M. Nedívejte se do otvoru přímo s optickými nástroji.

FIGYELMEZTETÉS: Látható és/vagy láthatatlan 1M osztályú sugárzás nyitott állapotban. Ne nézze közvetlenül optikai műszerekkel.

注意: 打開蓋板可能會產生可見或不可見的 1M 級鐳射。不要使用光學儀器直接進行窺視。

注意: 打开蓋板可能会产生可见或不可见的 1M 级辐射。不要使用光学仪器直接进行窥视。

تنبيه: يوجد إشعاع ليزري مرئي و/أو غير مرئي من الفئة 1M عندما يكون الجهاز مفتوحاً. تجنب النظر مباشرة داخل الجهاز باستخدام أدوات بصرية.

احتياط: هنگامی که باز گردد، تشعشع مرئی و یا نامرئی کلاس 1M لیزر وجود دارد. با لوازم چشمی مستقیماً به آن نگاه نکنید.

주의: 개방하면 가시 및/또는 비가시 클래스 1M 레이저 방사선이 나옵니다. 광학 기구로 직접 들여다보지 마십시오.

REPRODUCTION AND POSITION OF LABELS and PRINT WARNING LABEL and PRINT



CAUTION VISIBLE AND/OR INVISIBLE CLASS 1M LASER RADIATION WHEN OPEN. DO NOT VIEW DIRECTLY WITH OPTICAL INSTRUMENTS. IEC60825-1:2001 (ENG)	ATTENTION RAYONNEMENT LASER VISIBLE ET/OU INVISIBLE DE CLASSE 1M UNE FOIS OUVERT. NE PAS REGARDER DIRECTEMENT AVEC DES INSTRUMENTS OPTIQUES. (FRA)	AVISO RADIACIÓN LASER DE CLASE 1M VISIBLE Y/O INVISIBLE CUANDO ESTA ABIERTO. NO MIRAR DIRECTAMENTE CON INSTRUMENTAL OPTICO. (ESP)	WARNING SYNLIG OCH/ELLER OSYNLIG LASERSTRÅLNING, KLASS 1M, NÄR DENNA DEL ÄR ÖPPNAD. BETRAKTA EJ STRÅLEN MED OPTISKA INSTRUMENT. (SWE)	注意 ニニも顯くと可視 及び/または不可視 のクラス1M レーザー放射が 出ます。 光学装置で直接 見ないでください。 (JPN)	CAUTION VISIBLE AND/OR INVISIBLE CLASS II LASER RADIATION WHEN OPEN. DO NOT STARE INTO BEAM. FDA 21 CFR (ENG) LV44603-003A
--	--	---	---	--	---

SECTION 2
SPECIFIC SERVICE INSTRUCTIONS

This service manual does not describe SPECIFIC SERVICE INSTRUCTIONS.

SECTION 3 DISASSEMBLY

3.1 MAIN BODY

3.1.1 Removing the FRONT PANEL assembly (See Fig.1)

- (1) From the bottom side of main body, remove the two screws **A** attaching the both side of the FRONT PANEL assembly.
- (2) Disengage two hooks **a** engaged CHASSIS assembly.

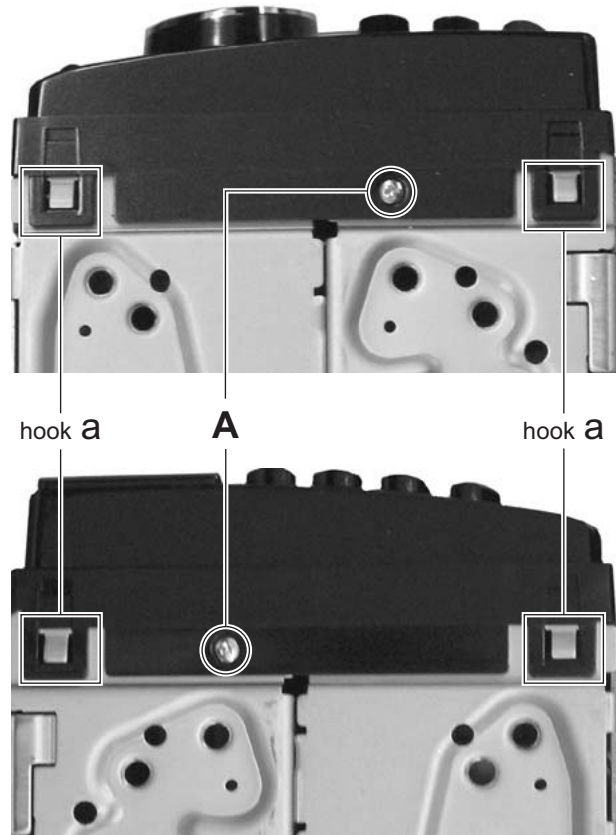


Fig.1

3.1.2 Removing the HEAT SINK

(See Fig.2)

- (1) Remove the five screws **B** and one screw **C** attaching the HEAT SINK.

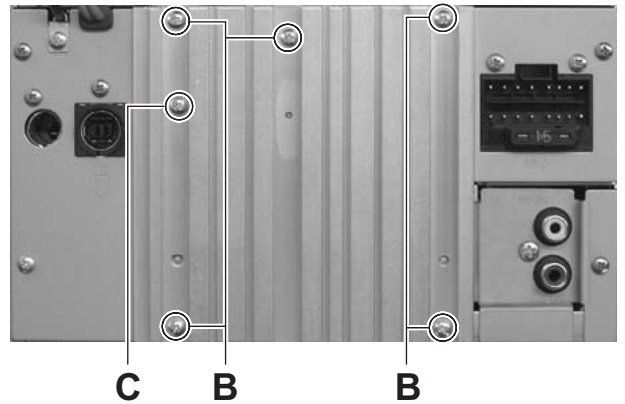


Fig.2

3.1.3 Removing the REAR BRACKET

(See Fig.3)

- (1) Remove the seven screws **D**, two screws **E** and one screw **F** attaching the REAR BRACKET.

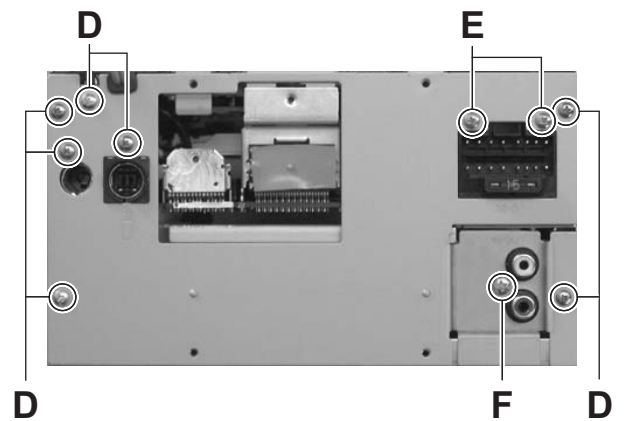


Fig.3

3.1.4 Removing the BOTTOM CHASSIS assembly

(See Fig.4)

- (1) Remove the four screws **G** attaching the BOTTOM CHASSIS assembly.



Fig.4

3.1.5 Removing the FUNC BOARD assembly (See Fig.5)

- (1) Remove the one screw **H** attaching the FUNC BOARD assembly.
- (2) Disconnect the connector wire from MAIN BOARD assembly connected to connector **CN322** of the FUNC BOARD assembly.
- (3) Straighten hook **b** attaching the FUNC BOARD assembly.

3.1.6 Removing the MIDDLE CHASSIS (See Fig.5)

- (1) Remove the four screws **J** attaching the MIDDLE CHASSIS.
- (2) Disconnect the connector **CN501** of the main board on the MIDDLE CHASSIS from the CD mechanism assembly in an upward direction.

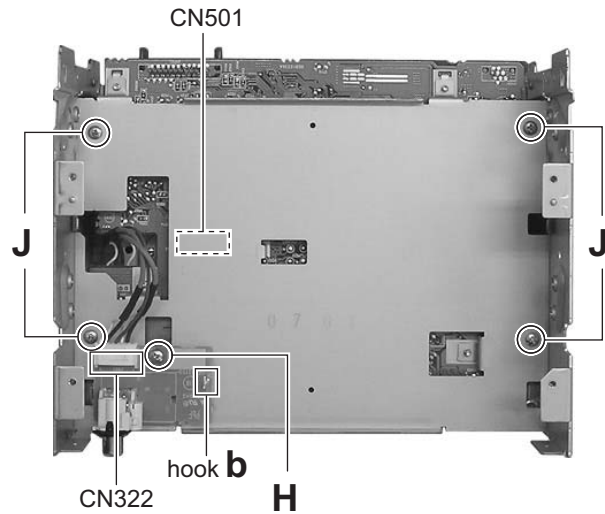


Fig.5

3.1.7 Removing the MAIN BOARD assembly (See Fig.6)

- (1) Remove the four screws **K** attaching the MAIN BOARD assembly.

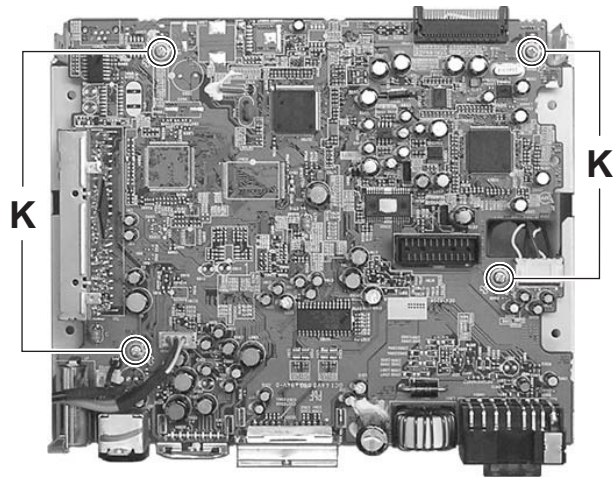


Fig.6

3.1.8 Removing the CD MECHANISM assembly (See Fig.7)

- (1) Remove the three screws L attaching the CD MECHANISM assembly.

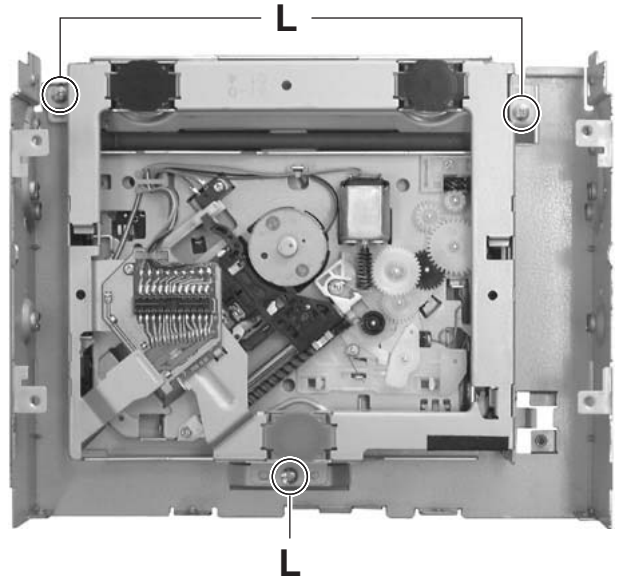


Fig.7

3.1.9 Removing the SWITCH BOARD assembly (See Fig.8)

- (1) Remove the volume knob from the front side of the FRONT PANEL assembly.
- (2) Remove the thirteen screws M and two screws N attaching the SWITCH BOARD assembly.

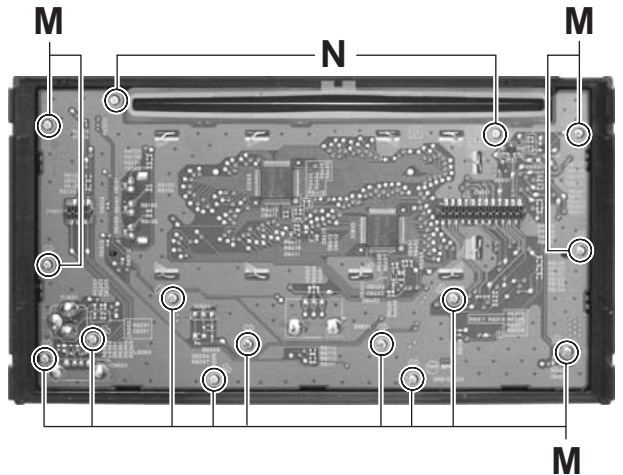


Fig.8

3.2 CD MECHANISM assembly

For CD MECHANISM ASSEMBLY, please refer MODEL TN2007-1010 ([No.MY005](#) and [No.MY005B](#)).

SECTION 4 ADJUSTMENT

4.1 Adjustment method

4.1.1 Test instruments required for adjustment

- (1) Digital oscilloscope (100MHz)
- (2) Electric voltmeter
- (3) Digital tester
- (4) Tracking offset meter
- (5) Test Disc JVC :CTS-1000
- (6) Extension cable for check
EXTSH002-22P x 1

4.1.2 Standard measuring conditions

Power supply voltage : DC14.4V(11 to 16V)
Load impedance : 20K.(2 Speakers connection)
Output Level : Line out 2.5V (Vol. MAX)

4.1.3 Standard volume position

Balance and Bass & Treble volume : Indication "0"
Loudness : OFF

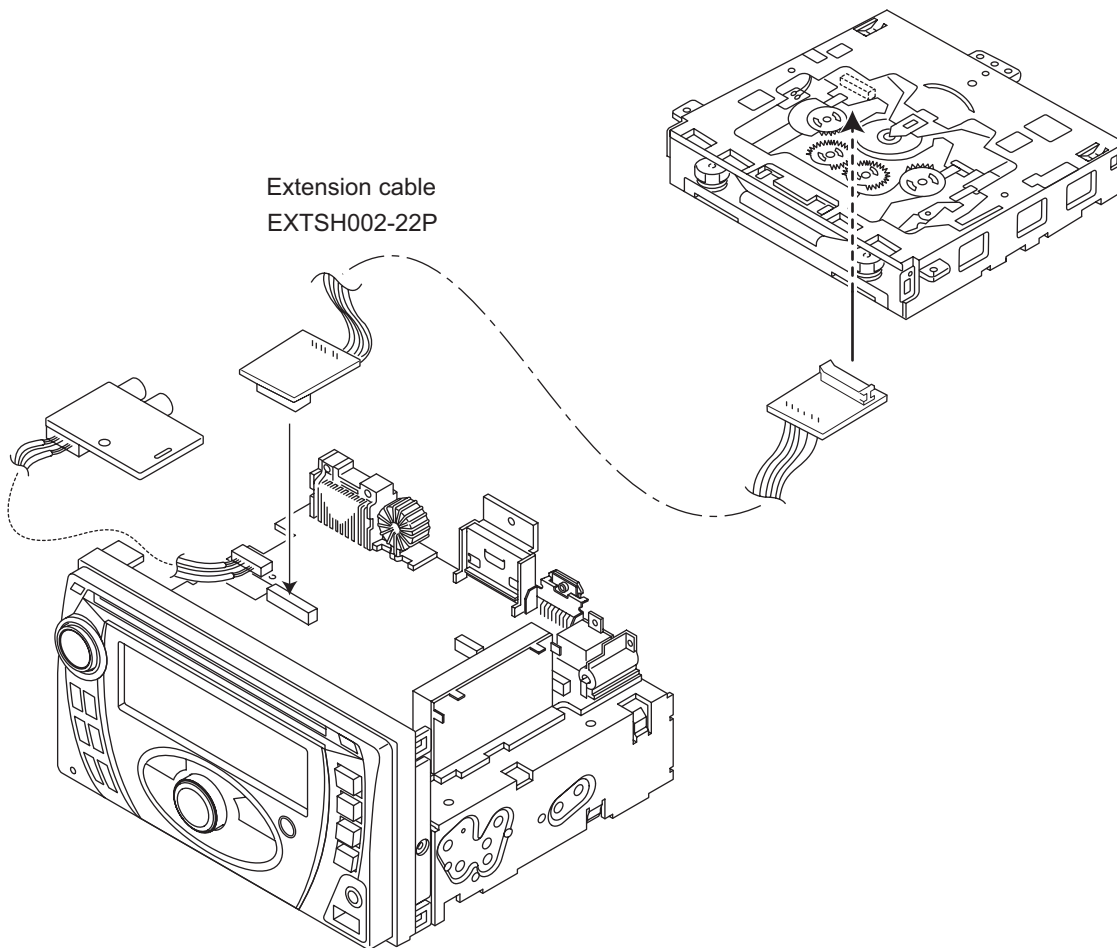
4.1.4 Dummy load

Exclusive dummy load should be used for AM, and FM. For FM dummy load, there is a loss of 6dB between SSG output and antenna input. The loss of 6dB need not be considered since direct reading of figures are applied in this working standard.

4.1.5 How to connect the extension cable for adjusting

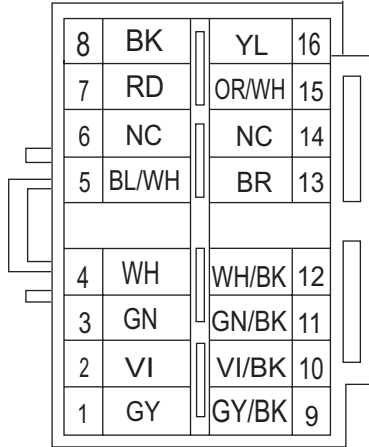
Caution:

Be sure to attach the heat sink and rear bracket onto the power amplifier IC and regulator IC respectively, before supply the power. If voltage is applied without attaching these parts, the power amplifier IC and regulator IC will be destroyed by heat.

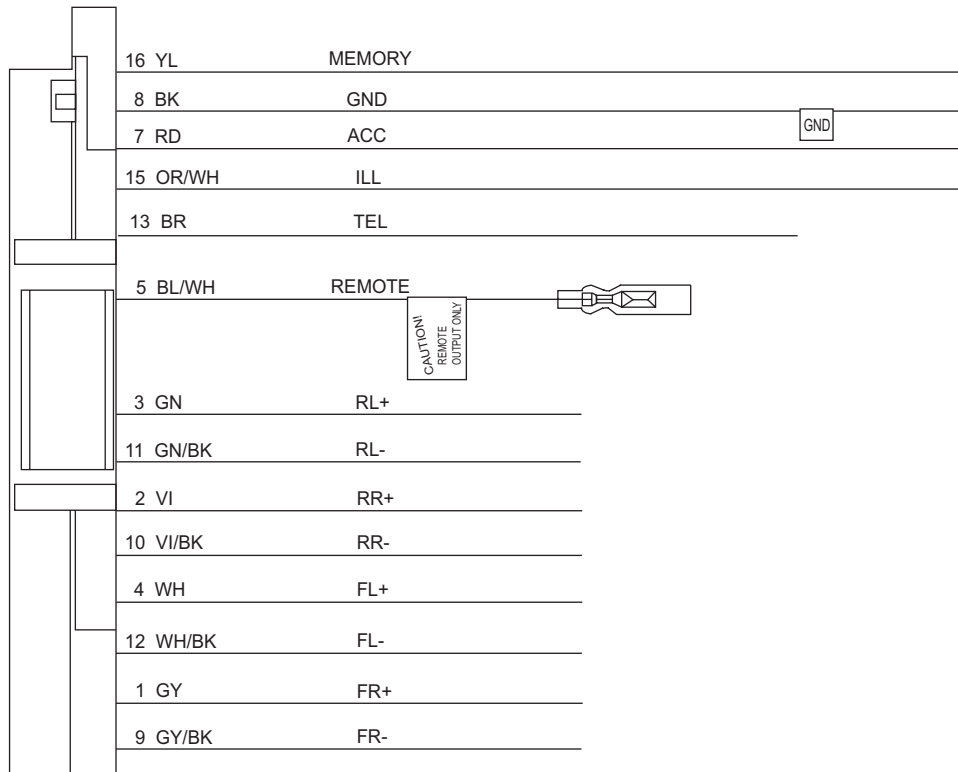


SECTION 5 TROUBLESHOOTING

5.1 16 PIN CORD DIAGRAM (for KW-XG500)

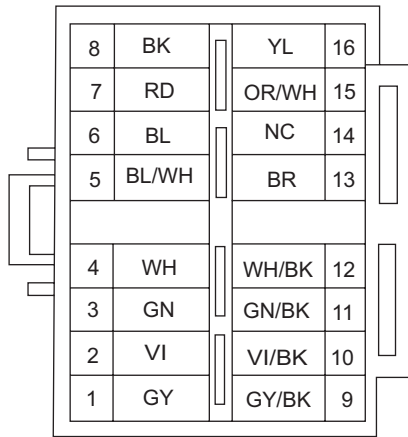


BK	Black	GN	Green
RD	Red	VI	Violet
BL	Blue	GY	Gray
WH	White	YL	Yellow
BR	Brown	OR	Orange

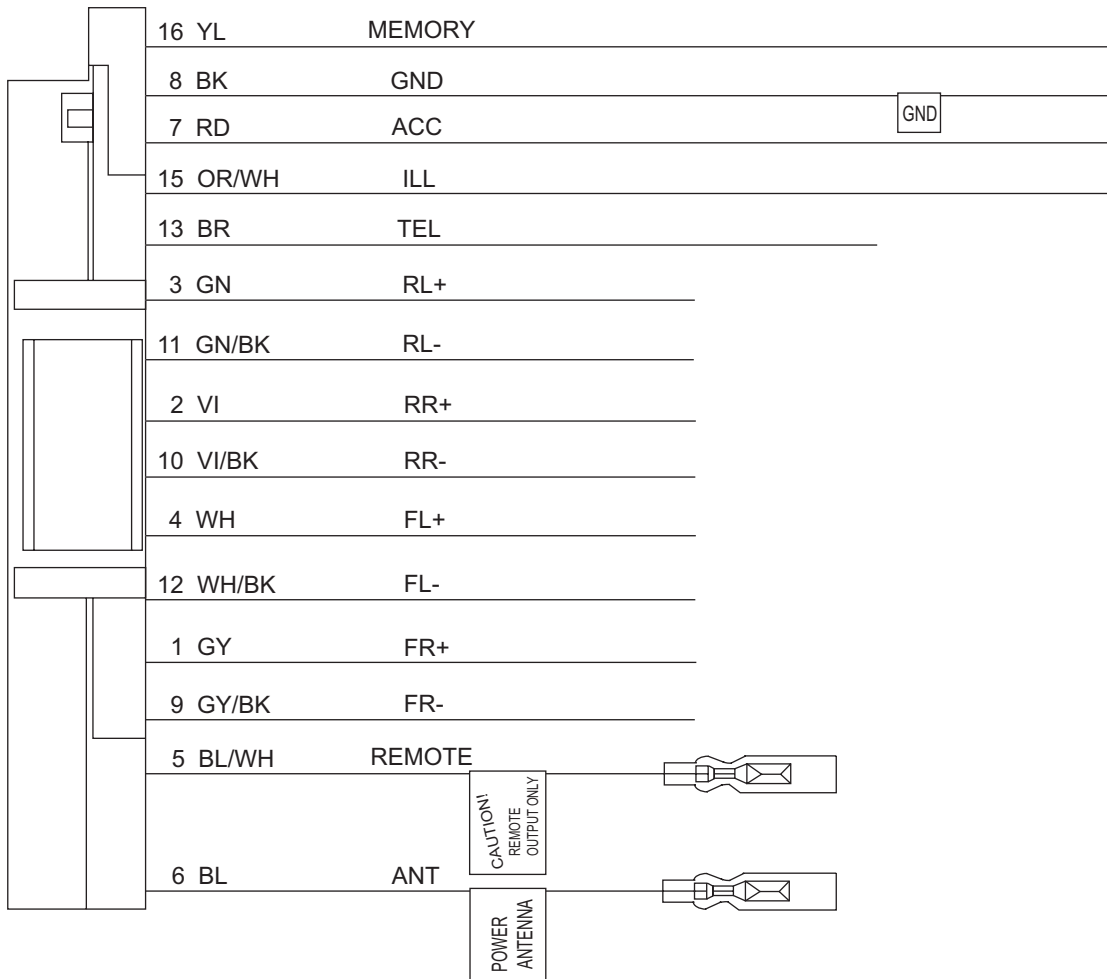


RR	Rear Right	REMOTE	Remote out
FR	Front Right	ACC	ACC Line
FL	Front Left	MEMORY	Memory Backup Battery +
RL	Rear Left	GND	Ground
TEL	Telephone muting	ILL	Illuminations Control

5.2 16 PIN CORD DIAGRAM (for KW-XG504, KW-XG505, KW-XG506)

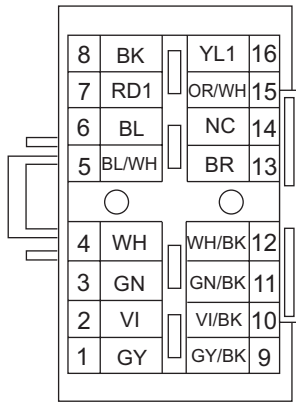


BK	Black	GN	Green
RD	Red	VI	Violet
BL	Blue	GY	Gray
WH	White	YL	Yellow
BR	Brown	OR	Orange

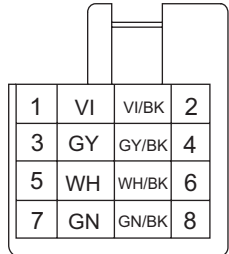
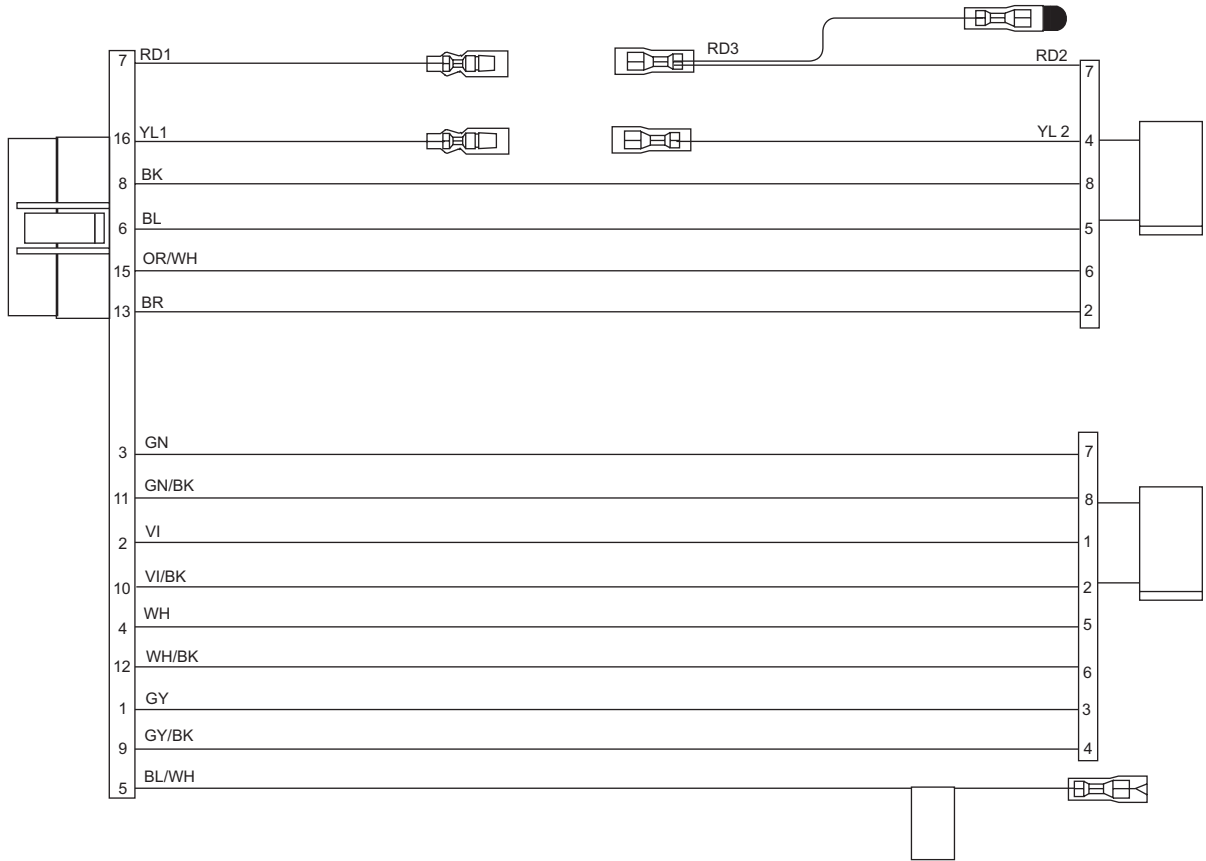
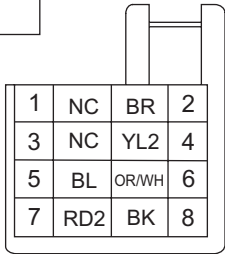


RR	Rear Right	ANT	Auto Antenna
FR	Front Right	ACC	ACC Line
FL	Front Left	ILL	Illuminations Control
RL	Rear Left	GND	Ground
REMOTE	Remote out	MEMORY	Memory Backup Battery+
TEL	Telephone muting		

5.3 16 PIN CORD DIAGRAM (for KW-XG508)



BK	Black	GN	Green
RD	Red	VI	Violet
BL	Blue	GY	Gray
WH	White	YL	Yellow
BR	Brown	OR	Orange





JVC

Victor company of Japan, Limited
Mobile Entertainment Business Group Mobile Entertainment Category 10-1,1chome,Ohwatari-machi,Maebashi-city,371-8543,Japan

(No.MA345)



Printed in Japan
VPT

PARTS LIST

KW-XG500J,KW-XG504UI,KW-XG505U
KW-XG505UN,KW-XG505UH,KW-XG506U
KW-XG506UN,KW-XG506UH,KW-XG508UF

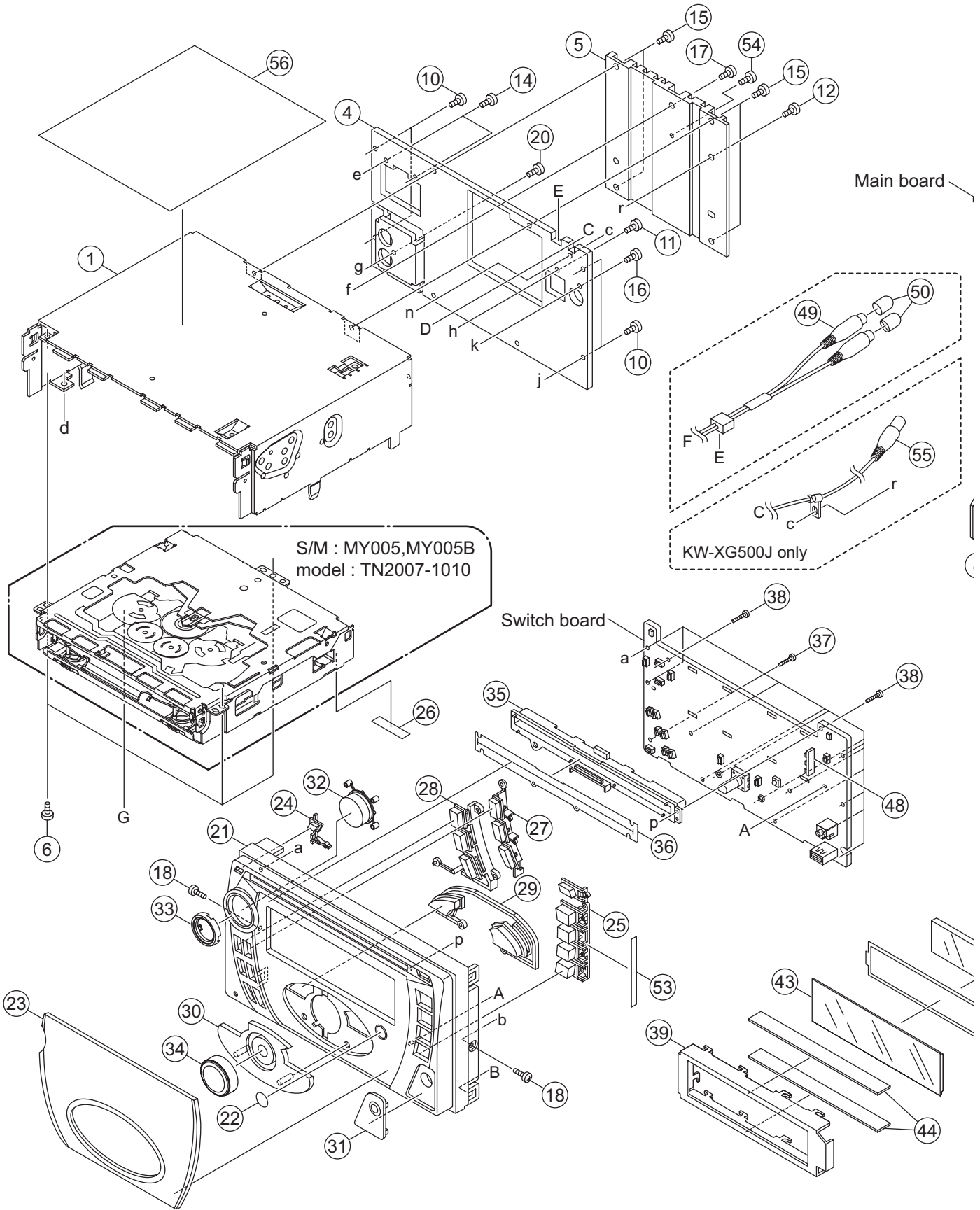
- * All printed circuit boards and its assemblies are not available as service parts.
- * Please refer to the mechanism manual (model TN2007-1010, No.MY005,MY005B) for the CD mechanism.

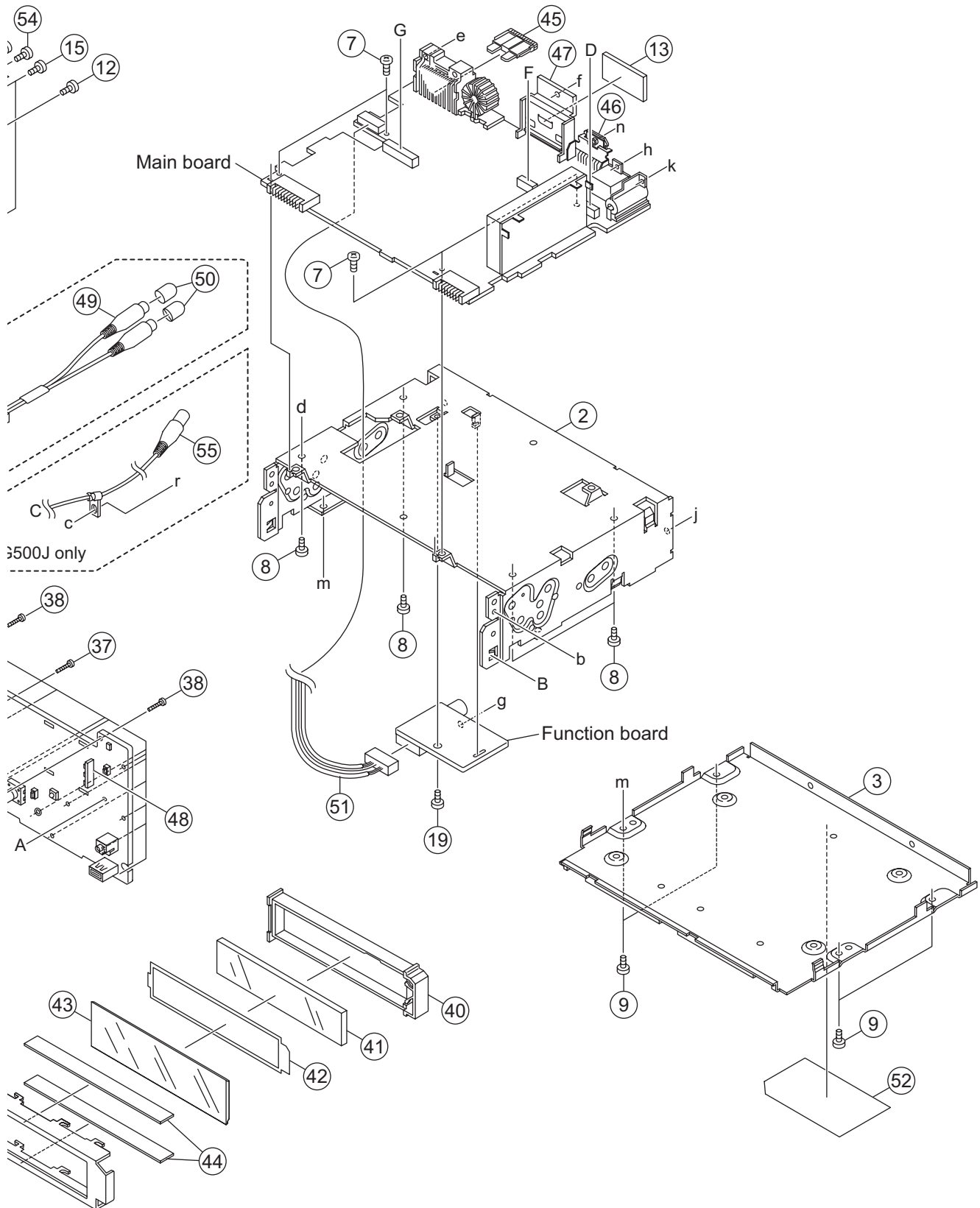
- Contents -

Exploded view of general assembly and parts list (Block No.M1)	3- 2
Electrical parts list (Block No.01~03).....	3- 6
Packing materials and accessories parts list (Block No.M3)	3-12

Exploded view of general assembly and parts list

Block No. **M 1 M M**





The parts without symbol number are not service.

General Assembly

Block No. [M][1][M][M]

△	Symbol No.	Part No.	Part Name	Description	Local
	1	GE10170-001A	TOP CHASSIS		
	2	LV10864-002A	MIDDLE CHASSIS		
	3	LV10865-002A	BOTTOM CHASSIS		
	4	GE31799-004A	REAR BRACKET		
	5	LV34655-002A	HEAT SINK		
	6	QYSDST2604ZA	TAP SCREW	M2.6 x 4mm(x3)	
	7	GE40377-002A	SCREW	(x4)	
	8	QYSDST2606ZA	TAP SCREW	M2.6 x 6mm(x4)	
	9	QYSDST2606ZA	TAP SCREW	M2.6 x 6mm(x4)	
	10	QYSDST2606ZA	TAP SCREW	M2.6 x 6mm(x4)	
	11	QYSDST2606ZA	TAP SCREW	M2.6 x 6mm	
	12	GE40377-001A	SCREW		
	13	LV43693-001A	COOLING RUBBER		
	14	QYSDSF2606ZA	TAP SCREW	M2.6 x 6mm(x2)	
	15	QYSDST2606ZA	TAP SCREW	M2.6 x 6mm(x4)	
	16	QYSDST2606ZA	TAP SCREW	M2.6 x 6mm	
	17	QYSDST2606ZA	TAP SCREW	M2.6 x 6mm	
	18	QYSDST2004ZA	TAP SCREW	M2 x 4mm(x2)	
	19	QYSDST2606ZA	TAP SCREW	M2.6 x 6mm	
	20	QYSDSF3006ZA	TAP SCREW	M3 x 6mm	
	21	GE10165-001A	FRONT PANEL		500J,506U,506UN,506UH,508UF
	21	GE10165-002A	FRONT PANEL		504UI,505U,505UN,505UH
	22	GE40218-072A	SHEET		
	23	GE32787-002A	FINDER ASSY		500J
	23	GE32787-010A	FINDER ASSY		504UI
	23	GE32787-011A	FINDER ASSY		505U,505UN,505UH
	23	GE32787-012A	FINDER ASSY		506U,506UN,506UH
	23	GE32787-008A	FINDER ASSY		508UF
	24	GE40384-001A	POWER BUTTON		500J,506U,506UN,506UH,508UF
	24	GE40384-002A	POWER BUTTON		504UI,505U,505UN,505UH
	25	GE20220-001A	D FUNCTION BTN		500J,506U,506UN,506UH,508UF
	25	GE20220-002A	D FUNCTION BTN		504UI,505U,505UN,505UH
	26	FSYH4036-100	SHEET		
	27	GE32727-002A	PRESET BUTTON L		500J,506U,506UN,506UH,508UF
	27	GE32727-001A	PRESET BUTTON L		504UI,505U,505UN,505UH
	28	GE32728-002A	PRESET BUTTON R		500J,506U,506UN,506UH,508UF
	28	GE32728-001A	PRESET BUTTON R		504UI,505U,505UN,505UH
	29	GE32730-002A	SEL EQ BUTTON		500J
	29	GE32730-001A	SEL EQ BUTTON		504UI,505U,505UN,505UH,506U,506UN,506UH,508UF
	30	GE20223-001A	VOLKNOB COVER		500J
	30	GE20223-002A	VOLKNOB COVER		504UI,505U,505UN,505UH,506U,506UN,506UH,508UF
	31	GE32784-001A	AUX COVER		500J,506U,506UN,506UH,508UF
	31	GE32784-002A	AUX COVER		504UI,505U,505UN,505UH
	32	GE32732-001A	NAVI BUTTON		500J,506U,506UN,506UH,508UF
	32	GE32732-002A	NAVI BUTTON		504UI,505U,505UN,505UH
	33	GE32729-001A	RIM COVER		500J
	33	GE32729-002A	RIM COVER		504UI,505U,505UN,505UH,506U,506UN,506UH,508UF
	34	GE40314-005A	VOL KNOB ASSY		500J
	34	GE40314-006A	VOL KNOB ASSY		504UI,505U,505UN,505UH,506U,506UN,506UH,508UF
	35	GE20221-001A	DISC GUIDE		
	36	LV34709-001A	BLIND		
	37	VKZ4777-010	MINI SCREW	(x13)	
	38	VKZ4777-008	MINI SCREW	(x2)	
	39	GE20222-002A	LCD CASE		
	40	GE32725-001A	LENS CASE		
	41	GE32726-001A	LCD LENS		
	42	GE40386-001A	LIGHTING SHEET		
	43	QLD0483-001	LCD MODULE		
	44	QNZ0932-001	RUBBER CONNECTO	(x2)	
△	45	QMFZ047-150-T	FUSE	15A	
	46	LV34650-001A	IC BKT		
	47	GE40364-001A	REG IC BKT		
	48	GE32724-001A	LED HOLDER		
	49	QAM1008-001	SUB WOOFER		
	50	VYTA500-001	PIN CAP	(x2)	
	51	WJN0194-001A-E	E-SH C WIRE C-C		
	52	GE32766-001A	NAME PLATE		500J
	52	GE32778-001A	NAME PLATE		504UI
	52	GE32769-001A	NAME PLATE		505U,505UN,505UH
	52	GE32772-001A	NAME PLATE		506U,506UN,506UH
	52	GE32781-001A	NAME PLATE		508UF

△ Symbol No.	Part No.	Part Name	Description	Local
53	GE40218-078A	SHEET		
54	QYSDST2606ZA	TAP SCREW	M2.6 x 6mm	500J
55	QAM0991-001	STEELING REMOTE		500J
56	GE40402-001A	TOP SHEET		508UF

Electrical parts list

Main board

Block No. [0][1]

△ Symbol No.	Part No.	Part Name	Description	Local
	IC161	TDA7419N-X	IC	
△	IC301	TB2926HQ	IC	
△	IC501	LA6242H-X	IC	
	IC502	TC74VHCU04FT-X	IC	
	IC503	PCM1780-X	IC	
△	IC541	TC94A70FG-005A	IC	
	IC561	SN74CBT3245AP-X	IC	
	IC571	NJU7772F15-X	IC	
	IC581	NJM4580E-X	IC	
△	IC701	UPD78F1166GC1E	IC(PROGRAMED)	
	IC702	S-80833CNNB-G-W	IC	
	IC702	or IC-PST3433U-X	IC	
	IC801	HD74HC126FP-X	IC	
△	IC901	R2S25401DS-E	IC	
	Q1	RT1N141C-X	DIGI TRANSISTOR	
	Q1	or UN2211-X	TRANSISTOR	
	Q261	RT1P141C-X	DIGI TRANSISTOR	
	Q261	or UN2111-X	TRANSISTOR	
	Q262	KTD1304-X	TRANSISTOR	
	Q502	2SA1705/ST-T	TRANSISTOR	
	Q571	2SA1708/ST-T	TRANSISTOR	
	Q581	2SA1365/F-X	TRANSISTOR	
	Q582	RT1N141C-X	DIGI TRANSISTOR	
	Q582	or UN2211-X	TRANSISTOR	
	Q781	RT1P141C-X	DIGI TRANSISTOR	
	Q781	or UN2111-X	TRANSISTOR	
	Q782	RT6N430C-X	TRANSISTOR	
	Q784	RT1P141C-X	DIGI TRANSISTOR	
	Q784	or UN2111-X	TRANSISTOR	
	Q881	RT1N141C-X	DIGI TRANSISTOR	
	Q881	or UN2211-X	TRANSISTOR	
	Q891	RT1N141C-X	DIGI TRANSISTOR	
	Q891	or UN2211-X	TRANSISTOR	
	Q976	RT1N141C-X	DIGI TRANSISTOR	
	Q976	or UN2211-X	TRANSISTOR	
	Q977	2SA1530A/QR-X	TRANSISTOR	
	Q977	or 2SB709A/QR-X	TRANSISTOR	
	Q5001	2SA1705/ST-T	TRANSISTOR	
	Q5002	RT1N141C-X	DIGI TRANSISTOR	
	Q5002	or UN2211-X	TRANSISTOR	
	Q5003	RT1N141C-X	DIGI TRANSISTOR	
	Q5003	or UN2211-X	TRANSISTOR	
	D1	1SS355W-X	DIODE	
	D1	or MA111-X	SI DIODE	
	D2	1SS355W-X	DIODE	
	D2	or MA111-X	SI DIODE	
	D261	1SS355W-X	DIODE	
	D261	or MA111-X	SI DIODE	
	D262	1SS355W-X	DIODE	
	D262	or MA111-X	SI DIODE	
	D501	1A3G-T1	SI DIODE	
	D502	1SS355W-X	DIODE	
	D502	or MA111-X	SI DIODE	
	D503	1SS355W-X	DIODE	
	D503	or MA111-X	SI DIODE	
	D713	UDZW6.2B-X	Z DIODE	
	D713	or MA8062/M-X	Z DIODE	
	D714	UDZW6.2B-X	Z DIODE	
	D714	or MA8062/M-X	Z DIODE	
	D715	UDZW6.2B-X	Z DIODE	
	D715	or MA8062/M-X	Z DIODE	
	D716	UDZW6.2B-X	Z DIODE	
	D716	or MA8062/M-X	Z DIODE	
	D719	UDZW6.2B-X	Z DIODE	
	D719	or MA8062/M-X	Z DIODE	
	D720	1SS355W-X	DIODE	
	D720	or MA111-X	SI DIODE	
	D781	1SS355W-X	DIODE	
	D781	or MA111-X	SI DIODE	
	D782	1SS355W-X	DIODE	

△ Symbol No.	Part No.	Part Name	Description	Local
	D782	or MA111-X	SI DIODE	
	D783	1SS355W-X	DIODE	
	D783	or MA111-X	SI DIODE	
	D784	UDZW9.1B-X	Z DIODE	
	D784	or MA8091/M-X	Z DIODE	
	D851	MA22D23-X	SB DIODE	504UI,505 U,505UN, 505UH,50 6U,506UN ,506UH,50 8UF
	D851	or CRS03-W	SB DIODE	504UI,505 U,505UN, 505UH,50 6U,506UN ,506UH,50 8UF
	D851	or RB160M-30-X	SB DIODE	504UI,505 U,505UN, 505UH,50 6U,506UN ,506UH,50 8UF
	D852	MA22D23-X	SB DIODE	504UI,505 U,505UN, 505UH,50 6U,506UN ,506UH,50 8UF
	D852	or CRS03-W	SB DIODE	504UI,505 U,505UN, 505UH,50 6U,506UN ,506UH,50 8UF
	D852	or RB160M-30-X	SB DIODE	504UI,505 U,505UN, 505UH,50 6U,506UN ,506UH,50 8UF
	D891	1SS355W-X	DIODE	
	D891	or MA111-X	SI DIODE	
	D892	1SS355W-X	DIODE	
	D892	or MA111-X	SI DIODE	
	△ D901	1N5401-F64	SI DIODE	
	△ D901	or 1N5401-TU-15	SI DIODE	
	D902	1SS355W-X	DIODE	
	D902	or MA111-X	SI DIODE	
	D971	MA22D23-X	SB DIODE	
	D971	or CRS03-W	SB DIODE	
	D971	or RB160M-30-X	SB DIODE	
	D972	MA22D23-X	SB DIODE	
	D972	or CRS03-W	SB DIODE	
	D972	or RB160M-30-X	SB DIODE	
	C1	QEKJ1AM-227Z	E CAPACITOR	220uF 10V M
	C2	QEKJ1CM-476Z	E CAPACITOR	47uF 16V M
	C3	NCB31CK-104X	C CAPACITOR	0.1uF 16V K
	C4	NCB31CK-104X	C CAPACITOR	0.1uF 16V K
	C5	NCB31CK-104X	C CAPACITOR	0.1uF 16V K
	C6	NCB31CK-104X	C CAPACITOR	0.1uF 16V K
	C7	NCB31CK-224X	C CAPACITOR	0.22uF 16V K
	C81	QTE1H57-105Z	E CAPACITOR	1uF 50V
	C91	QTE1H57-105Z	E CAPACITOR	1uF 50V
	C141	NCB31HK-472X	C CAPACITOR	4700pF 50V K
	C142	NCB31HK-472X	C CAPACITOR	4700pF 50V K
	C161	QTE1H57-105Z	E CAPACITOR	1uF 50V
	C162	QTE1H54-225Z	E CAPACITOR	2.2uF 50V
	C164	QEKJ1HM-105Z	E CAPACITOR	1uF 50V M
	C165	QEKJ1HM-105Z	E CAPACITOR	1uF 50V M
	C166	QEKJ1HM-105Z	E CAPACITOR	1uF 50V M
	C167	NCB31HK-472X	C CAPACITOR	4700pF 50V K
	C168	QTE1A57-107Z	E CAPACITOR	100uF 10V
	C171	QTE1H57-105Z	E CAPACITOR	1uF 50V
	C172	QTE1H54-225Z	E CAPACITOR	2.2uF 50V
	C176	NCB31AK-224X	C CAPACITOR	0.22uF 10V K
	C177	QTE1C57-476Z	E CAPACITOR	47uF 16V
	C184	QEKJ1HM-105Z	E CAPACITOR	1uF 50V M

△ Symbol No.	Part No.	Part Name	Description	Local	△ Symbol No.	Part No.	Part Name	Description	Local
C186	QEKJ1HM-105Z	E CAPACITOR	1uF 50V M		C562	QEKJ1CM-476Z	E CAPACITOR	47uF 16V M	
C261	QEKJ1CM-106Z	E CAPACITOR	10uF 16V M		C563	NCB31EK-104X	C CAPACITOR	0.1uF 25V K	
C262	QEKJ0JM-476Z	E CAPACITOR	47uF 6.3V M		C564	NDC31HJ-680X	C CAPACITOR	68pF 50V J	
C263	NDC31HJ-101X	C CAPACITOR	100pF 50V J	504UI,505 U,505UN, 505UH,50 6U,506UN ,506UH,50 8UF	C565	NCB31EK-153X	C CAPACITOR	0.015uF 25V K	
C301	NFV81CM-105X	MF CAPACITOR	1uF 16V M		C566	NCB31EK-104X	C CAPACITOR	0.1uF 25V K	
C302	NFV81CM-105X	MF CAPACITOR	1uF 16V M		C567	NCB31EK-104X	C CAPACITOR	0.1uF 25V K	
C303	NDC31HJ-101X	C CAPACITOR	100pF 50V J		C568	NCB31HK-472X	C CAPACITOR	4700pF 50V K	
C304	NDC31HJ-101X	C CAPACITOR	100pF 50V J		C569	NCB31HK-103X	C CAPACITOR	0.01uF 50V K	
C310	QTE1C57-476Z	E CAPACITOR	47uF 16V		C570	NCB31HK-103X	C CAPACITOR	0.01uF 50V K	
C311	NFV81CM-105X	MF CAPACITOR	1uF 16V M		C571	NCB31EK-153X	C CAPACITOR	0.015uF 25V K	
C312	NFV81CM-105X	MF CAPACITOR	1uF 16V M		C572	NDC31HJ-470X	C CAPACITOR	47pF 50V J	
C313	NDC31HJ-101X	C CAPACITOR	100pF 50V J		C573	NCB31EK-333X	C CAPACITOR	0.033uF 25V K	
C314	NDC31HJ-101X	C CAPACITOR	100pF 50V J		C574	NCB31HK-103X	C CAPACITOR	0.01uF 50V K	
C315	QEKJ1HM-225Z	E CAPACITOR	2.2uF 50V M		C575	QEKJ1CM-107Z	E CAPACITOR	100uF 10V M	
C317	QERF1EM-475Z	E CAPACITOR	4.7uF 16V M		C576	NCB31HK-562X	C CAPACITOR	5600pF 50V K	
C319	NCB31EK-473X	C CAPACITOR	0.047uF 25V K		C578	NCB31HK-103X	C CAPACITOR	0.01uF 50V K	
C320	QEKJ1HM-475Z	E CAPACITOR	4.7uF 25V M		C580	QTE1E57-475Z	E CAPACITOR	4.7uF 25V	
C324	NCB31EK-473X	C CAPACITOR	0.047uF 25V K		C581	NDC31HJ-101X	C CAPACITOR	100pF 50V J	
C365	QEKJ1HM-475Z	E CAPACITOR	4.7uF 25V M		C582	NDC31HJ-151X	C CAPACITOR	150pF 50V J	
C366	QEKJ1HM-475Z	E CAPACITOR	4.7uF 25V M		C583	QTE0J57-476Z	E CAPACITOR	47uF 6.3V	
C385	QEKJ1HM-475Z	E CAPACITOR	4.7uF 25V M		C584	NDC31HJ-821X	C CAPACITOR	820pF 50V J	
C386	QEKJ1HM-475Z	E CAPACITOR	4.7uF 25V M		C590	QTE1E57-475Z	E CAPACITOR	4.7uF 25V	
C502	QEKJ1CM-107Z	E CAPACITOR	100uF 10V M		C591	NDC31HJ-101X	C CAPACITOR	100pF 50V J	
C503	QEKJ1CM-476Z	E CAPACITOR	47uF 16V M		C592	NDC31HJ-151X	C CAPACITOR	150pF 50V J	
C504	NCB31HK-103X	C CAPACITOR	0.01uF 50V K		C593	QTE0J57-476Z	E CAPACITOR	47uF 6.3V	
C509	NCB31EK-104X	C CAPACITOR	0.1uF 25V K		C594	NDC31HJ-821X	C CAPACITOR	820pF 50V J	
C510	NCB31EK-104X	C CAPACITOR	0.1uF 25V K		C596	QEKJ1CM-107Z	E CAPACITOR	100uF 10V M	
C511	NCB31HK-103X	C CAPACITOR	0.01uF 50V K		C597	NCB31CK-104X	C CAPACITOR	0.1uF 16V K	
C512	NCB31HK-103X	C CAPACITOR	0.01uF 50V K		C598	NCB31EK-104X	C CAPACITOR	0.1uF 25V K	
C513	NCB31HK-103X	C CAPACITOR	0.01uF 50V K		C701	NDC31HJ-220X	C CAPACITOR	22pF 50V J	
C514	NCB31HK-103X	C CAPACITOR	0.01uF 50V K		C702	NDC31HJ-270X	C CAPACITOR	27pF 50V J	
C515	NCB31EK-473X	C CAPACITOR	0.047uF 25V K		C705	NCB31EK-473X	C CAPACITOR	0.047uF 25V K	
C516	NCB31EK-473X	C CAPACITOR	0.047uF 25V K		C706	NCB31EK-473X	C CAPACITOR	0.047uF 25V K	
C517	NDC31HJ-121X	C CAPACITOR	120pF 50V J		C707	NCB31EK-473X	C CAPACITOR	0.047uF 25V K	
C518	NCB31EK-473X	C CAPACITOR	0.047uF 25V K		C708	NCB31EK-473X	C CAPACITOR	0.047uF 25V K	
C519	NCB31EK-473X	C CAPACITOR	0.047uF 25V K		C709	NCB31HK-103X	C CAPACITOR	0.01uF 50V K	
C521	NCB31EK-104X	C CAPACITOR	0.1uF 25V K		C710	QEKJ0JM-476Z	E CAPACITOR	47uF 6.3V M	
C522	QEKJ1CM-107Z	E CAPACITOR	100uF 10V M		C711	QERF0JM-337Z	E CAPACITOR	330uF 6.3V M	
C523	NCB31EK-104X	C CAPACITOR	0.1uF 25V K		C712	NCB31HK-103X	C CAPACITOR	0.01uF 50V K	
C524	NCB31EK-104X	C CAPACITOR	0.1uF 25V K		C713	NCB31HK-103X	C CAPACITOR	0.01uF 50V K	
C525	QEKJ1CM-107Z	E CAPACITOR	100uF 10V M		C716	NCB31EK-104X	C CAPACITOR	0.1uF 25V K	
C526	QEKJ1CM-107Z	E CAPACITOR	100uF 10V M		C717	NCB31EK-104X	C CAPACITOR	0.1uF 25V K	
C527	NCB31HK-103X	C CAPACITOR	0.01uF 50V K		C718	NDC31HJ-101X	C CAPACITOR	100pF 50V J	500J
C528	QEKJ1CM-107Z	E CAPACITOR	100uF 10V M		C724	NCB31AK-334X	C CAPACITOR	0.33uF 10V K	
C529	NCB31HK-103X	C CAPACITOR	0.01uF 50V K		C728	NCB31EK-104X	C CAPACITOR	0.1uF 25V K	
C530	NCB31CK-153X	C CAPACITOR	0.015uF 16V K		C781	QEKJ1CM-107Z	E CAPACITOR	100uF 16V M	
C531	NCB31HK-102X	C CAPACITOR	1000pF 50V K		C783	NCB31HK-103X	C CAPACITOR	0.01uF 50V K	
C532	NDC31HJ-271X	C CAPACITOR	270pF 50V J		C784	QEKJ1CM-107Z	E CAPACITOR	100uF 16V M	
C533	NDC31HJ-271X	C CAPACITOR	270pF 50V J		C801	NCB31EK-473X	C CAPACITOR	0.047uF 25V K	
C534	NCB31EK-273X	C CAPACITOR	0.027uF 25V K		C851	QEKJ1CM-106Z	E CAPACITOR	10uF 16V M	504UI,505 U,505UN, 505UH,50 6U,506UN ,506UH,50 8UF
C535	NCB31HK-183X	C CAPACITOR	0.018uF 50V K		C852	NCB31CK-224X	C CAPACITOR	0.22uF 16V K	504UI,505 U,505UN, 505UH,50 6U,506UN ,506UH,50 8UF
C536	NCB31EK-104X	C CAPACITOR	0.1uF 25V K		C881	QEKJ1CM-226Z	E CAPACITOR	22uF 16V M	
C537	NCB31HK-222X	C CAPACITOR	2200pF 50V K		C891	NCB31EK-104X	C CAPACITOR	0.1uF 25V K	
C538	QEKJ1CM-476Z	E CAPACITOR	47uF 16V M		C901	QEZ0769-278	E CAPACITOR	2700uF	
C541	NCB31HK-333X	C CAPACITOR	0.033uF 50V K		C902	QEKJ1HM-225Z	E CAPACITOR	2.2uF 50V M	
C542	NCB31HK-333X	C CAPACITOR	0.033uF 50V K		C903	QEKJ1CM-476Z	E CAPACITOR	47uF 16V M	
C543	NCB31EK-104X	C CAPACITOR	0.1uF 25V K		C904	QEKJ1CM-106Z	E CAPACITOR	10uF 16V M	
C544	NCB31EK-104X	C CAPACITOR	0.1uF 25V K		C905	QEKJ1CM-476Z	E CAPACITOR	47uF 16V M	
C545	NCB31EK-104X	C CAPACITOR	0.1uF 25V K		C906	NCB31HK-103X	C CAPACITOR	0.01uF 50V K	
C546	NCB31EK-104X	C CAPACITOR	0.1uF 25V K		C907	QEKJ1AM-227Z	E CAPACITOR	220uF 10V M	
C547	QEKJ1CM-476Z	E CAPACITOR	47uF 16V M		C908	QEKJ1AM-227Z	E CAPACITOR	220uF 10V M	
C548	NCB31EK-104X	C CAPACITOR	0.1uF 25V K		C909	QEKJ1AM-227Z	E CAPACITOR	220uF 10V M	
C549	QEKJ1CM-226Z	E CAPACITOR	22uF 16V M		C910	QEKJ1CM-106Z	E CAPACITOR	10uF 16V M	
C550	NCB31EK-104X	C CAPACITOR	0.1uF 25V K		C911	NCB31CK-104X	C CAPACITOR	0.1uF 16V K	
C551	NCB31EK-104X	C CAPACITOR	0.1uF 25V K		C912	NCB31HK-103X	C CAPACITOR	0.01uF 50V K	
C552	NCB31EK-104X	C CAPACITOR	0.1uF 25V K		C913	QEKJ1CM-106Z	E CAPACITOR	10uF 16V M	
C554	NCB31EK-104X	C CAPACITOR	0.1uF 25V K		C914	QEKJ1CM-107Z	E CAPACITOR	100uF 16V M	
C555	NCB31EK-104X	C CAPACITOR	0.1uF 25V K		C915	NCB31CK-104X	C CAPACITOR	0.1uF 16V K	
C556	NCB31EK-104X	C CAPACITOR	0.1uF 25V K		C934	NCB31CK-104X	C CAPACITOR	0.1uF 16V K	
C557	QEKJ1CM-476Z	E CAPACITOR	47uF 16V M						
C558	NCB31EK-104X	C CAPACITOR	0.1uF 25V K						
C559	QEKJ1CM-476Z	E CAPACITOR	47uF 16V M						
C560	NCB31EK-104X	C CAPACITOR	0.1uF 25V K						
C561	NCB31EK-104X	C CAPACITOR	0.1uF 25V K						

△ Symbol No.	Part No.	Part Name	Description	Local	△ Symbol No.	Part No.	Part Name	Description	Local
C971	NCB31EK-104X	C CAPACITOR	0.1uF 25V K		R515	NRSA63J-682X	MG RESISTOR	6.8kΩ 1/16W J	
C991	NDC31HJ-471X	C CAPACITOR	470pF 50V J		R518	NRSA63J-302X	MG RESISTOR	3kΩ 1/16W J	
C992	NDC31HJ-471X	C CAPACITOR	470pF 50V J		R519	NRSA63J-123X	MG RESISTOR	12kΩ 1/16W J	
C993	NDC31HJ-471X	C CAPACITOR	470pF 50V J		R520	NRSA63J-822X	MG RESISTOR	8.2kΩ 1/16W J	
C994	NDC31HJ-471X	C CAPACITOR	470pF 50V J		R521	NRSA63J-152X	MG RESISTOR	1.5kΩ 1/16W J	
C995	NDC31HJ-471X	C CAPACITOR	470pF 50V J		R522	NRSA63J-152X	MG RESISTOR	1.5kΩ 1/16W J	
C996	NDC31HJ-471X	C CAPACITOR	470pF 50V J		R523	NRSA63J-152X	MG RESISTOR	1.5kΩ 1/16W J	
C997	NDC31HJ-471X	C CAPACITOR	470pF 50V J		R524	NRSA63J-151X	MG RESISTOR	150Ω 1/16W J	
C998	NDC31HJ-471X	C CAPACITOR	470pF 50V J		R525	NRS181J-101X	MG RESISTOR	100Ω 1/8W J	
C5001	NCB31CK-104X	C CAPACITOR	0.1uF 16V K		R526	NRS181J-101X	MG RESISTOR	100Ω 1/8W J	
C5002	NDC31HJ-120X	C CAPACITOR	12pF 50V J		R527	NRSA63J-473X	MG RESISTOR	47kΩ 1/16W J	
C5003	NDC31HJ-150X	C CAPACITOR	15pF 50V J		R528	NRSA63J-102X	MG RESISTOR	1kΩ 1/16W J	
C5004	QTE1A57-107Z	E CAPACITOR	100uF 10V		R529	NRSA63J-102X	MG RESISTOR	1kΩ 1/16W J	
C5005	NCB31CK-104X	C CAPACITOR	0.1uF 16V K		R530	NRSA63J-105X	MG RESISTOR	1MΩ 1/16W J	
C5006	NCB31HK-123X	C CAPACITOR	0.012uF 50V K		R531	NRSA63J-332X	MG RESISTOR	3.3kΩ 1/16W J	
C5007	QTE0J57-476Z	E CAPACITOR	47uF 6.3V		R532	NRSA63J-221X	MG RESISTOR	220Ω 1/16W J	
C5008	NCB31CK-104X	C CAPACITOR	0.1uF 16V K		R533	NRSA63J-103X	MG RESISTOR	10kΩ 1/16W J	
C5010	NCB31CK-104X	C CAPACITOR	0.1uF 16V K		R534	NRSA63J-103X	MG RESISTOR	10kΩ 1/16W J	
R3	NRSA63J-102X	MG RESISTOR	1kΩ 1/16W J		R535	NRSA63J-103X	MG RESISTOR	10kΩ 1/16W J	
R9	NRSA63J-103X	MG RESISTOR	10kΩ 1/16W J		R536	NRSA63J-103X	MG RESISTOR	10kΩ 1/16W J	
R10	NRSA63J-473X	MG RESISTOR	47kΩ 1/16W J		R537	NRSA63J-103X	MG RESISTOR	10kΩ 1/16W J	
R11	NRSA63J-472X	MG RESISTOR	4.7kΩ 1/16W J		R538	NRSA63J-103X	MG RESISTOR	10kΩ 1/16W J	
R12	NRSA63J-331X	MG RESISTOR	330Ω 1/16W J		R539	NRSA63J-103X	MG RESISTOR	10kΩ 1/16W J	
R13	NRSA63J-472X	MG RESISTOR	4.7kΩ 1/16W J		R540	NRSA63J-103X	MG RESISTOR	10kΩ 1/16W J	
R14	NRSA63J-331X	MG RESISTOR	330Ω 1/16W J		R541	NRSA63J-101X	MG RESISTOR	100Ω 1/16W J	
R15	NRSA63J-102X	MG RESISTOR	1kΩ 1/16W J		R542	NRSA63J-103X	MG RESISTOR	10kΩ 1/16W J	
R16	NRSA63J-332X	MG RESISTOR	3.3kΩ 1/16W J		R543	NRSA63J-101X	MG RESISTOR	100Ω 1/16W J	
R17	NRSA63J-0R0X	MG RESISTOR	0Ω 1/16W J		R544	NRSA63J-101X	MG RESISTOR	100Ω 1/16W J	
R21	NRS181J-120X	MG RESISTOR	12Ω 1/8W J		R545	NRSA63J-104X	MG RESISTOR	100kΩ 1/16W J	
R22	NRS181J-120X	MG RESISTOR	12Ω 1/8W J		R546	NRSA63J-104X	MG RESISTOR	100kΩ 1/16W J	
R81	NRSA63J-123X	MG RESISTOR	12kΩ 1/16W J		R547	NRSA63J-472X	MG RESISTOR	4.7kΩ 1/16W J	
R82	NRSA63J-242X	MG RESISTOR	2.4kΩ 1/16W J	500J	R548	NRSA63J-562X	MG RESISTOR	5.6kΩ 1/16W J	
R82	NRSA63J-472X	MG RESISTOR	4.7kΩ 1/16W J	504UI,505U,505UN,505UH,506U,506UN,506UH,508UF	R549	NRSA63J-154X	MG RESISTOR	150kΩ 1/16W J	
R91	NRSA63J-123X	MG RESISTOR	12kΩ 1/16W J		R550	NRSA63J-334X	MG RESISTOR	330kΩ 1/16W J	
R92	NRSA63J-242X	MG RESISTOR	2.4kΩ 1/16W J	500J	R551	NRSA63J-473X	MG RESISTOR	47kΩ 1/16W J	
R92	NRSA63J-472X	MG RESISTOR	4.7kΩ 1/16W J	504UI,505U,505UN,505UH,506U,506UN,506UH,508UF	R552	NRSA63J-153X	MG RESISTOR	15kΩ 1/16W J	
R141	NRSA63J-473X	MG RESISTOR	47kΩ 1/16W J		R553	NRSA63J-223X	MG RESISTOR	22kΩ 1/16W J	
R142	NRSA63J-473X	MG RESISTOR	47kΩ 1/16W J		R556	NRSA63J-0R0X	MG RESISTOR	0Ω 1/16W J	
R161	NRSA63J-222X	MG RESISTOR	2.2kΩ 1/16W J		R557	NRSA63J-0R0X	MG RESISTOR	0Ω 1/16W J	
R162	NRSA63J-222X	MG RESISTOR	2.2kΩ 1/16W J		R560	NRSA63J-104X	MG RESISTOR	100kΩ 1/16W J	
R163	NRSA63J-331X	MG RESISTOR	330Ω 1/16W J		R561	NRSA63J-101X	MG RESISTOR	100Ω 1/16W J	
R175	NRSA63J-222X	MG RESISTOR	2.2kΩ 1/16W J		R562	NRSA63J-101X	MG RESISTOR	100Ω 1/16W J	
R176	NRSA63J-222X	MG RESISTOR	2.2kΩ 1/16W J		R563	NRSA63J-101X	MG RESISTOR	100Ω 1/16W J	
R178	NRSA63J-103X	MG RESISTOR	10kΩ 1/16W J		R564	NRSA63J-101X	MG RESISTOR	100Ω 1/16W J	
R179	NRSA63J-103X	MG RESISTOR	10kΩ 1/16W J		R565	NRSA63J-101X	MG RESISTOR	100Ω 1/16W J	
R183	NRSA63J-0R0X	MG RESISTOR	0Ω 1/16W J		R566	NRSA63J-101X	MG RESISTOR	100Ω 1/16W J	
R184	NRSA63J-0R0X	MG RESISTOR	0Ω 1/16W J		R567	NRSA63J-101X	MG RESISTOR	100Ω 1/16W J	
R261	NRSA63J-101X	MG RESISTOR	100Ω 1/16W J		R568	NRSA63J-223X	MG RESISTOR	22kΩ 1/16W J	
R262	NRSA63J-821X	MG RESISTOR	820Ω 1/16W J		R569	NRSA63J-473X	MG RESISTOR	47kΩ 1/16W J	
R263	NRSA63J-333X	MG RESISTOR	33kΩ 1/16W J		R570	NRSA63J-103X	MG RESISTOR	10kΩ 1/16W J	
R264	NRSA63J-472X	MG RESISTOR	4.7kΩ 1/16W J		R571	NRSA63J-103X	MG RESISTOR	10kΩ 1/16W J	
R301	NRSA63J-102X	MG RESISTOR	1kΩ 1/16W J		R572	NRSA63J-103X	MG RESISTOR	10kΩ 1/16W J	
R302	NRSA63J-102X	MG RESISTOR	1kΩ 1/16W J		R573	NRSA63J-103X	MG RESISTOR	10kΩ 1/16W J	
R303	NRSA63J-103X	MG RESISTOR	10kΩ 1/16W J		R574	NRSA63J-103X	MG RESISTOR	10kΩ 1/16W J	
R311	NRSA63J-102X	MG RESISTOR	1kΩ 1/16W J		R575	NRSA63J-103X	MG RESISTOR	10kΩ 1/16W J	
R312	NRSA63J-102X	MG RESISTOR	1kΩ 1/16W J		R576	NRSA63J-103X	MG RESISTOR	10kΩ 1/16W J	
R365	NRSA63J-473X	MG RESISTOR	47kΩ 1/16W J		R577	NRSA02J-220X	MG RESISTOR	22Ω 1/10W J	
R366	NRSA63J-473X	MG RESISTOR	47kΩ 1/16W J		R578	NRSA02J-220X	MG RESISTOR	22Ω 1/10W J	
R385	NRSA63J-473X	MG RESISTOR	47kΩ 1/16W J		R579	NRSA63J-103X	MG RESISTOR	10kΩ 1/16W J	
R386	NRSA63J-473X	MG RESISTOR	47kΩ 1/16W J		R580	NRSA02J-100X	MG RESISTOR	10Ω 1/10W J	
R502	NRSA02J-0R0X	MG RESISTOR	0Ω 1/10W J		R581	NRSA63J-0R0X	MG RESISTOR	0Ω 1/16W J	
R503	NRSA02J-0R0X	MG RESISTOR	0Ω 1/10W J		R583	NRSA63J-243X	MG RESISTOR	24kΩ 1/16W J	
R504	NRSA63J-822X	MG RESISTOR	8.2kΩ 1/16W J		R585	NRSA63J-273X	MG RESISTOR	27kΩ 1/16W J	
R505	NRSA63J-512X	MG RESISTOR	5.1kΩ 1/16W J		R586	NRSA63J-822X	MG RESISTOR	8.2kΩ 1/16W J	
R511	NRSA63J-103X	MG RESISTOR	10kΩ 1/16W J		R587	NRSA63J-103X	MG RESISTOR	10kΩ 1/16W J	
R512	NRSA63J-752X	MG RESISTOR	7.5kΩ 1/16W J		R588	NRSA63J-103X	MG RESISTOR	10kΩ 1/16W J	
R513	NRSA63J-332X	MG RESISTOR	3.3kΩ 1/16W J		R589	NRSA63J-152X	MG RESISTOR	1.5kΩ 1/16W J	
R514	NRSA63J-103X	MG RESISTOR	10kΩ 1/16W J		R591	NRSA63J-0R0X	MG RESISTOR	0Ω 1/16W J	
					R593	NRSA63J-243X	MG RESISTOR	24kΩ 1/16W J	
					R594	NRSA63J-0R0X	MG RESISTOR	0Ω 1/16W J	
					R595	NRSA63J-273X	MG RESISTOR	27kΩ 1/16W J	
					R596	NRSA63J-822X	MG RESISTOR	8.2kΩ 1/16W J	
					R597	NRSA63J-103X	MG RESISTOR	10kΩ 1/16W J	
					R598	NRSA63J-103X	MG RESISTOR	10kΩ 1/16W J	
					R599	NRSA63J-152X	MG RESISTOR	1.5kΩ 1/16W J	
					R681	NRSA63J-0R0X	MG RESISTOR	0Ω 1/16W J	
					R701	NRSA63J-473X	MG RESISTOR	47kΩ 1/16W J	
					R702	NRSA63J-103X	MG RESISTOR	10kΩ 1/16W J	

△ Symbol No.	Part No.	Part Name	Description	Local	△ Symbol No.	Part No.	Part Name	Description	Local
R704	NRSA63J-473X	MG RESISTOR	47kΩ 1/16W J		R851	NRSA63J-103X	MG RESISTOR	10kΩ 1/16W J	504UI,505 U,505UN, 505UH,50 6U,506UN ,506UH,50 8UF
R705	NRSA63J-473X	MG RESISTOR	47kΩ 1/16W J		R881	NRSA63J-473X	MG RESISTOR	47kΩ 1/16W J	
R709	NRSA63J-271X	MG RESISTOR	270Ω 1/16W J		R882	NRSA63J-472X	MG RESISTOR	4.7kΩ 1/16W J	
R710	NRSA63J-271X	MG RESISTOR	270Ω 1/16W J		R891	NRSA63J-102X	MG RESISTOR	1kΩ 1/16W J	
R712	NRSA63J-101X	MG RESISTOR	100Ω 1/16W J		R892	NRSA63J-473X	MG RESISTOR	47kΩ 1/16W J	
R713	NRSA63J-101X	MG RESISTOR	100Ω 1/16W J		R901	QRE142J-102X	C RESISTOR	1kΩ 1/4W J	
R714	NRSA63J-222X	MG RESISTOR	2.2kΩ 1/16W J		R902	NRSA02J-912X	MG RESISTOR	9.1kΩ 1/10W J	
R715	NRSA63J-101X	MG RESISTOR	100Ω 1/16W J		R903	NRSA02J-472X	MG RESISTOR	4.7kΩ 1/10W J	
R716	NRSA63J-101X	MG RESISTOR	100Ω 1/16W J		R971	NRS181J-222X	MG RESISTOR	2.2kΩ 1/8W J	
R717	NRSA63J-103X	MG RESISTOR	10kΩ 1/16W J		R972	NRS181J-222X	MG RESISTOR	2.2kΩ 1/8W J	
R718	NRSA63J-103X	MG RESISTOR	10kΩ 1/16W J		R976	NRSA02J-273X	MG RESISTOR	27kΩ 1/10W J	
R719	NRSA63J-0R0X	MG RESISTOR	0Ω 1/16W J		R977	NRSA02J-123X	MG RESISTOR	12kΩ 1/10W J	
R720	NRSA63J-122X	MG RESISTOR	1.2kΩ 1/16W J		R5001	NRSA63J-101X	MG RESISTOR	100Ω 1/16W J	
R721	NRSA63J-102X	MG RESISTOR	1kΩ 1/16W J		R5002	NRSA63J-105X	MG RESISTOR	1MΩ 1/16W J	
R722	NRSA63J-103X	MG RESISTOR	10kΩ 1/16W J		R5003	NRSA63J-102X	MG RESISTOR	1kΩ 1/16W J	
R724	NRSA63J-271X	MG RESISTOR	270Ω 1/16W J		R5006	NRS181J-122X	MG RESISTOR	1.2kΩ 1/8W J	
R727	NRSA63J-102X	MG RESISTOR	1kΩ 1/16W J		R5007	NRSA63J-470X	MG RESISTOR	47Ω 1/16W J	
R728	NRSA63J-101X	MG RESISTOR	100Ω 1/16W J		R5008	NRSA63J-470X	MG RESISTOR	47Ω 1/16W J	
R731	NRSA63J-473X	MG RESISTOR	47kΩ 1/16W J		R5009	NRSA63J-470X	MG RESISTOR	47Ω 1/16W J	
R734	NRSA63J-222X	MG RESISTOR	2.2kΩ 1/16W J		R5010	NRSA63J-101X	MG RESISTOR	100Ω 1/16W J	
R735	NRSA63J-222X	MG RESISTOR	2.2kΩ 1/16W J		R5011	NRSA63J-101X	MG RESISTOR	100Ω 1/16W J	
R736	NRSA63J-222X	MG RESISTOR	2.2kΩ 1/16W J		R5012	NRSA63J-101X	MG RESISTOR	100Ω 1/16W J	
R737	NRSA63J-0R0X	MG RESISTOR	0Ω 1/16W J		R5015	NRSA63J-103X	MG RESISTOR	10kΩ 1/16W J	
R738	NRSA63J-472X	MG RESISTOR	4.7kΩ 1/16W J		R5016	NRSA63J-473X	MG RESISTOR	47kΩ 1/16W J	
R739	NRSA63J-472X	MG RESISTOR	4.7kΩ 1/16W J		L1	QQL244J-4R7Z	P COIL	4.7uH J	
R740	NRSA63J-472X	MG RESISTOR	4.7kΩ 1/16W J		L571	NQL114K-470X	COIL	47uH K	
R741	NRSA63J-101X	MG RESISTOR	100Ω 1/16W J		L572	NQL114K-470X	COIL	47uH K	
R742	NRSA63J-101X	MG RESISTOR	100Ω 1/16W J		L701	QQL244J-4R7Z	P COIL	4.7uH J	
R743	NRSA63J-103X	MG RESISTOR	10kΩ 1/16W J		L702	NQL114M-4R7X	COIL	4.7uH M	
R744	NRSA63J-103X	MG RESISTOR	10kΩ 1/16W J		L901	QQR0703-001	CHOKE COIL		500J,504 UI,505U,5 05UN,505 UH,506U, 506UH,50 8UF 506UN
R745	NRSA63J-103X	MG RESISTOR	10kΩ 1/16W J		L901	QQR1378-002	COIL		
R746	NRSA63J-103X	MG RESISTOR	10kΩ 1/16W J		L5002	NQL79GM-470X	COIL	47uH M	
R747	NRSA63J-472X	MG RESISTOR	4.7kΩ 1/16W J		L5003	NQL093K-1R8X	COIL	1.8uH K	
R748	NRSA63J-472X	MG RESISTOR	4.7kΩ 1/16W J		L5004	NQL093K-1R8X	COIL	1.8uH K	
R749	NRSA63J-472X	MG RESISTOR	4.7kΩ 1/16W J		CN261	QGA2501C1-03	CONNECTOR	W-B (1-3)	
R750	NRSA63J-103X	MG RESISTOR	10kΩ 1/16W J		CN323	QGA2001F1-07	CONNECTOR	W-B (1-7)	
R751	NRSA63J-103X	MG RESISTOR	10kΩ 1/16W J		CN501	QGB2027M4-22S	CONNECTOR	B-B (1-22)	
R752	NRSA63J-473X	MG RESISTOR	47kΩ 1/16W J		CN701	QGB1004K1-24	CONNECTOR	B-B (1-24)	
R753	NRSA63J-473X	MG RESISTOR	47kΩ 1/16W J		CN702	QGA2001C1-02	CONNECTOR	W-B (1-2)	500J
R755	NRSA63J-106X	MG RESISTOR	10MΩ 1/16W J		CN901	QNZ0611-001	16P CONNECTOR		
R756	NRSA63J-473X	MG RESISTOR	47kΩ 1/16W J		J1	QNB0190-001	ANTENNA JACK		
R757	NRSA63J-222X	MG RESISTOR	2.2kΩ 1/16W J		J801	QNZ0095-001	CONNECTOR		
R758	NRSA63J-473X	MG RESISTOR	47kΩ 1/16W J		PP1	QZW0010-001	STYLE PIN		500J
R759	NRSA63J-103X	MG RESISTOR	10kΩ 1/16W J	500J	△ TU1	QAU0484-001	TUNER PACK		
R760	NRSA63J-103X	MG RESISTOR	10kΩ 1/16W J	504UI,505 U,505UN, 505UH,50 6U,506UN ,506UH,50 8UF	X701	QAX0916-001Z	CRYSTAL		
R766	NRSA63J-222X	MG RESISTOR	2.2kΩ 1/16W J	500J	X702	QAX0401-001	CRYSTAL	32.768KHz	
R767	NRSA63J-223X	MG RESISTOR	22kΩ 1/16W J	500J	X5001	QAX0413-001Z	CRYSTAL	16.9344MHz	
R774	NRSA63J-473X	MG RESISTOR	47kΩ 1/16W J		Switch board				
R775	NRSA63J-473X	MG RESISTOR	47kΩ 1/16W J		△ Symbol No.	Part No.	Part Name	Description	Local
R776	NRSA63J-473X	MG RESISTOR	47kΩ 1/16W J		IC602	PT6523LQ-L	IC		
R777	NRSA63J-473X	MG RESISTOR	47kΩ 1/16W J		IC603	PT6523LQ-L	IC		
R781	NRSA63J-473X	MG RESISTOR	47kΩ 1/16W J		IC604	NJL29H380A	REMOCON RCV		
R782	NRSA63J-0R0X	MG RESISTOR	0Ω 1/16W J		Q6001	RT1N141C-X	DIGI TRANSISTOR		
R783	NRSA63J-0R0X	MG RESISTOR	0Ω 1/16W J		Q6001	or UN2211-X	TRANSISTOR		
R784	NRSA63J-101X	MG RESISTOR	100Ω 1/16W J		Q6002	2SA1365/F-X	TRANSISTOR		
R785	NRSA63J-101X	MG RESISTOR	100Ω 1/16W J		D6101	NSPW310BS/BRST/	LED		
R786	NRSA63J-101X	MG RESISTOR	100Ω 1/16W J		D6102	NSPW310BS/BRST/	LED		
R787	NRSA63J-101X	MG RESISTOR	100Ω 1/16W J		D6103	NSPW310BS/BRST/	LED		
R789	NRSA63J-0R0X	MG RESISTOR	0Ω 1/16W J		Block No. [0][2]				
R790	NRSA63J-101X	MG RESISTOR	100Ω 1/16W J						
R797	NRSA63J-103X	MG RESISTOR	10kΩ 1/16W J						
R801	NRSA63J-473X	MG RESISTOR	47kΩ 1/16W J						
R802	NRSA63J-473X	MG RESISTOR	47kΩ 1/16W J						
R803	NRSA63J-101X	MG RESISTOR	100Ω 1/16W J						
R804	NRSA63J-223X	MG RESISTOR	22kΩ 1/16W J						
R805	NRSA63J-104X	MG RESISTOR	100kΩ 1/16W J						
R806	NRSA63J-103X	MG RESISTOR	10kΩ 1/16W J						
R807	NRSA63J-104X	MG RESISTOR	100kΩ 1/16W J						
R808	NRSA63J-331X	MG RESISTOR	330Ω 1/16W J						
R809	NRSA63J-223X	MG RESISTOR	22kΩ 1/16W J						
R810	NRSA63J-101X	MG RESISTOR	100Ω 1/16W J						

△ Symbol No.	Part No.	Part Name	Description	Local
D6104	LHQ974/LM/-X	LED		
D6105	LHQ974/LM/-X	LED		
D6106	LHQ974/LM/-X	LED		
D6107	LHQ974/LM/-X	LED		
D6108	LHQ974/LM/-X	LED		
D6109	LHQ974/LM/-X	LED		
D6110	LHQ974/LM/-X	LED		
D6111	LHQ974/LM/-X	LED		
D6112	LHQ974/LM/-X	LED		
D6113	LHQ974/LM/-X	LED		
D6114	LHQ974/LM/-X	LED		
D6115	LHQ974/LM/-X	LED		
D6116	LHQ974/LM/-X	LED		
D6117	LHQ974/LM/-X	LED		
D6118	LHQ974/LM/-X	LED		
D6119	LHQ974/LM/-X	LED		
D6120	LHQ974/LM/-X	LED		
D6121	LHQ974/LM/-X	LED		
D6122	LHQ974/LM/-X	LED		
D6123	LHQ974/LM/-X	LED		
D6124	LHQ974/LM/-X	LED		
D6125	LHQ974/LM/-X	LED		
D6126	LHQ974/LM/-X	LED		
D6127	LHQ974/LM/-X	LED		
D6130	MC2838-X	DIODE		
D6401	or MA152WK-X	SI DIODE		
D6401	1SS355W-X	DIODE		
D6401	or MA111-X	SI DIODE		
D6402	UDZW5.1B-X	SB DIODE		
D6402	or MA8051/M/-X	Z DIODE		
D6411	1SS355W-X	DIODE		
D6411	or MA111-X	SI DIODE		
D6412	UDZW5.1B-X	SB DIODE		
D6412	or MA8051/M/-X	Z DIODE		
C6201	NCB31HK-472X	C CAPACITOR	4700pF 50V K	
C6202	NCB31HK-472X	C CAPACITOR	4700pF 50V K	
C6203	NCB31CK-473X	C CAPACITOR	0.047uF 16V K	
C6301	NCB31HK-103X	C CAPACITOR	0.01uF 50V K	
C6302	NCB31HK-103X	C CAPACITOR	0.01uF 50V K	
C6401	NCS31HJ-681X	C CAPACITOR	680pF 50V J	
C6402	NCB31CK-223X	C CAPACITOR	0.022uF 16V K	
C6403	NCB21AK-105X	C CAPACITOR	1uF 10V K	
C6411	NCS31HJ-681X	C CAPACITOR	680pF 50V J	
C6412	NCB31CK-223X	C CAPACITOR	0.022uF 16V K	
C6413	NCB21AK-105X	C CAPACITOR	1uF 10V K	
R6001	NRSA02J-102X	MG RESISTOR	1kΩ 1/10W J	
R6002	NRSA63J-472X	MG RESISTOR	4.7kΩ 1/16W J	
R6003	NRSA02J-121X	MG RESISTOR	120Ω 1/10W J	
R6101	NRSA63J-681X	MG RESISTOR	680Ω 1/16W J	
R6102	NRSA63J-681X	MG RESISTOR	680Ω 1/16W J	
R6103	NRSA63J-681X	MG RESISTOR	680Ω 1/16W J	
R6104	NRSA63J-681X	MG RESISTOR	680Ω 1/16W J	
R6105	NRSA63J-681X	MG RESISTOR	680Ω 1/16W J	
R6106	NRSA63J-681X	MG RESISTOR	680Ω 1/16W J	
R6107	NRSA63J-122X	MG RESISTOR	1.2kΩ 1/16W J	
R6108	NRSA63J-122X	MG RESISTOR	1.2kΩ 1/16W J	
R6109	NRSA63J-122X	MG RESISTOR	1.2kΩ 1/16W J	
R6110	NRSA63J-122X	MG RESISTOR	1.2kΩ 1/16W J	
R6111	NRSA63J-431X	MG RESISTOR	430Ω 1/16W J	
R6113	NRSA63J-431X	MG RESISTOR	430Ω 1/16W J	
R6117	NRSA63J-471X	MG RESISTOR	470Ω 1/16W J	
R6119	NRSA63J-471X	MG RESISTOR	470Ω 1/16W J	
R6121	NRSA63J-471X	MG RESISTOR	470Ω 1/16W J	
R6123	NRSA63J-471X	MG RESISTOR	470Ω 1/16W J	
R6125	NRSA63J-471X	MG RESISTOR	470Ω 1/16W J	
R6127	NRSA63J-471X	MG RESISTOR	470Ω 1/16W J	
R6129	NRSA63J-471X	MG RESISTOR	470Ω 1/16W J	
R6131	NRSA63J-471X	MG RESISTOR	470Ω 1/16W J	
R6133	NRSA63J-821X	MG RESISTOR	820Ω 1/16W J	
R6135	NRSA63J-471X	MG RESISTOR	470Ω 1/16W J	
R6201	NRSA63J-473X	MG RESISTOR	47kΩ 1/16W J	
R6202	NRSA63J-473X	MG RESISTOR	47kΩ 1/16W J	
R6203	NRSA63J-471X	MG RESISTOR	470Ω 1/16W J	
R6204	NRSA63J-0R0X	MG RESISTOR	0Ω 1/16W J	
R6206	NRSA63J-103X	MG RESISTOR	10kΩ 1/16W J	
R6207	NRSA63J-471X	MG RESISTOR	470Ω 1/16W J	

△ Symbol No.	Part No.	Part Name	Description	Local
R6300	NRSA63J-821X	MG RESISTOR	820Ω 1/16W J	
R6301	NRSA63J-102X	MG RESISTOR	1kΩ 1/16W J	
R6302	NRSA63J-122X	MG RESISTOR	1.2kΩ 1/16W J	
R6303	NRSA63J-182X	MG RESISTOR	1.8kΩ 1/16W J	
R6304	NRSA63J-272X	MG RESISTOR	2.7kΩ 1/16W J	
R6305	NRSA63J-821X	MG RESISTOR	820Ω 1/16W J	
R6306	NRSA63J-102X	MG RESISTOR	1kΩ 1/16W J	
R6307	NRSA63J-122X	MG RESISTOR	1.2kΩ 1/16W J	
R6308	NRSA63J-182X	MG RESISTOR	1.8kΩ 1/16W J	
R6309	NRSA63J-272X	MG RESISTOR	2.7kΩ 1/16W J	
R6310	NRSA63J-821X	MG RESISTOR	820Ω 1/16W J	
R6311	NRSA63J-102X	MG RESISTOR	1kΩ 1/16W J	
R6312	NRSA63J-122X	MG RESISTOR	1.2kΩ 1/16W J	
R6313	NRSA63J-182X	MG RESISTOR	1.8kΩ 1/16W J	
R6314	NRSA63J-272X	MG RESISTOR	2.7kΩ 1/16W J	
R6320	NRSA63J-0R0X	MG RESISTOR	0Ω 1/16W J	
R6363	NRSA63J-0R0X	MG RESISTOR	0Ω 1/16W J	504UJ,505U,505UH,506U,506UH,508UF
R6400	NRSA63J-222X	MG RESISTOR	2.2kΩ 1/16W J	
R6401	NRSA63J-222X	MG RESISTOR	2.2kΩ 1/16W J	
R6402	NRSA63J-513X	MG RESISTOR	51kΩ 1/16W J	
R6403	NRSA63J-101X	MG RESISTOR	100Ω 1/16W J	
R6404	NRSA63J-101X	MG RESISTOR	100Ω 1/16W J	
R6405	NRSA63J-101X	MG RESISTOR	100Ω 1/16W J	
R6406	NRSA63J-225X	MG RESISTOR	2.2MΩ 1/16W J	
R6407	NRSA63J-104X	MG RESISTOR	100kΩ 1/16W J	
R6412	NRSA63J-513X	MG RESISTOR	51kΩ 1/16W J	
R6413	NRSA63J-101X	MG RESISTOR	100Ω 1/16W J	
R6414	NRSA63J-101X	MG RESISTOR	100Ω 1/16W J	
R6415	NRSA63J-101X	MG RESISTOR	100Ω 1/16W J	
R6416	NRSA63J-225X	MG RESISTOR	2.2MΩ 1/16W J	
R6417	NRSA63J-104X	MG RESISTOR	100kΩ 1/16W J	
CN601	QGB1004J2-24X	CONNECTOR	B-B (1-24)	
EN601	QSW1227-001	ROTARY ENCODER		
PJ601	QNS0180-002	3.5 JACK		
S6201	NSW0206-001X	TACT SWITCH		
S6300	NSW0246-001X	TACT SWITCH		
S6301	NSW0206-001X	TACT SWITCH		
S6302	NSW0206-001X	TACT SWITCH		
S6303	NSW0206-001X	TACT SWITCH		
S6304	NSW0206-001X	TACT SWITCH		
S6305	NSW0206-001X	TACT SWITCH		
S6306	NSW0206-001X	TACT SWITCH		
S6307	NSW0206-001X	TACT SWITCH		
S6308	NSW0206-001X	TACT SWITCH		
S6309	NSW0206-001X	TACT SWITCH		
S6310	NSW0206-001X	TACT SWITCH		
S6311	NSW0246-001X	TACT SWITCH		
S6312	NSW0206-001X	TACT SWITCH		
S6313	NSW0206-001X	TACT SWITCH		
S6314	NSW0206-001X	TACT SWITCH		
S6315	NSW0206-001X	TACT SWITCH		
S6316	NSW0206-001X	TACT SWITCH		
S6317	NSW0206-001X	TACT SWITCH		

Function board

△ Symbol No.	Part No.	Part Name	Description	Local
Q321	RT6N430C-X	TRANSISTOR		
Q331	RT6N430C-X	TRANSISTOR		
D321	MC2836-X	DIODE		
D321	or MA152WA-X	DIODE		
D331	MC2836-X	DIODE		
D331	or MA152WA-X	DIODE		
R321	NRSA63J-821X	MG RESISTOR	820Ω 1/16W J	
R322	NRSA63J-181X	MG RESISTOR	180Ω 1/16W J	

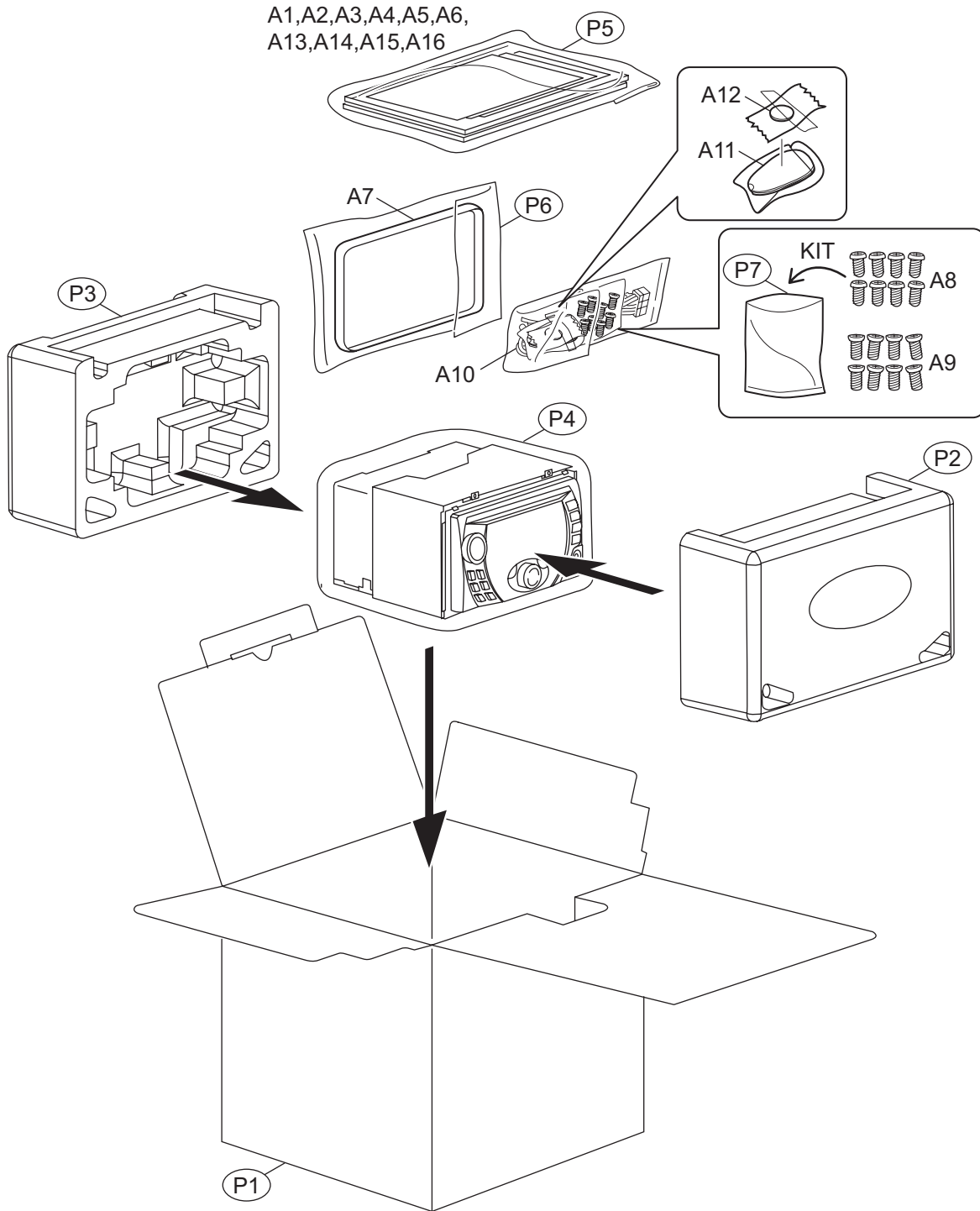
Block No. [0][3]

△ Symbol No.	Part No.	Part Name	Description	Local
R325	NRSA63J-0R0X	MG RESISTOR	0Ω 1/16W J	
R331	NRSA63J-821X	MG RESISTOR	820Ω 1/16W J	
R332	NRSA63J-181X	MG RESISTOR	180Ω 1/16W J	
R335	NRSA63J-0R0X	MG RESISTOR	0Ω 1/16W J	
CN322	QGA2001F1-07	CONNECTOR	W-B (1-7)	
J321	QNN0294-001	PIN JACK		

Packing materials and accessories parts list

Block No. **M** **3** **M** **M**

No additional / supplemental order of WARRANTY CARDS are available.



The parts without symbol number are not service.

Packing and Accessories

Block No. [M][3][M][M]

△	Symbol No.	Part No.	Part Name	Description	Local
	A 1	GET0462-001A	INST BOOK	ENG FRE SPA	500J
	A 1	GET0464-001A	INST BOOK	ENG	504UI
	A 1	GET0463-001A	INST BOOK	ENG THA	505U,505UH,506U,506UH
	A 1	GET0463-004A	INST BOOK	ENG INA	505UN,506UN
	A 1	GET0465-001A	INST BOOK	CHI(PEKIN)	508UF
	A 2	GET0463-002A	INST BOOK	ARA KOR CHI(TAIWAN) PER	505U,506U
	A 3	GET0463-003A	INST BOOK	RUS	505U,506U
	A 4	GET0462-002A	INSTALL MANUAL	ENG FRE SPA	500J
	A 4	GET0464-002A	INSTALL MANUAL	ENG	504UI
	A 4	GET0463-006A	INSTALL MANUAL	ENG THA	505U,505UH,506U,506UH
	A 4	GET0463-009A	INSTALL MANUAL	ENG INA	505UN,506UN
	A 4	GET0465-002A	INSTALL MANUAL	CHI(PEKIN)	508UF
	A 5	GET0463-007A	INSTALL MANUAL	ARA KOR CHI(TAIWAN) PER	505U,506U
	A 6	GET0463-008A	INSTALL MANUAL	RUS	505U,506U
	A 7	GE20224-002A	TRIM PLATE		504UI,505U,505UN,505UH
	A 7	GE20224-001A	TRIM PLATE		506U,506UN,506UH,508UF
	A 8	QYSDSP5008ZA	SCREW	M5 x 8mm(x8)	
	A 9	QYSSSP5008ZA	SCREW	M5 x 8mm(x8)	
	A 10	QAM0675-001	CAR CABLE		500J
△	A 10	QAM0308-004	POWER CORD		504UI,505U,505UN,505UH,506U,506UN,506UH
△	A 10	QAM0980-001	POWER CORD		508UF
	A 11	RM-RK50C	REMOCON		
	A 12	-----	BATTERY	3V	
	A 13	-----	WARRANTY CARD	BT-51018-5	500J
	A 14	BT-51041-1	REGIS. CARD	BT-51041-1	500J
	A 15	-----	WARRANTY CARD	BT-52007-1	500J
	A 16	LV36827-001A	BLIND PLATE		500J
	KIT	SRW-KW400J	SCREW PARTS KIT	A8 A9	
	P 1	GE32767-001A	CARTON		500J
	P 1	GE32779-001A	CARTON		504UI
	P 1	GE32770-001A	CARTON		505U,505UN,505UH
	P 1	GE32773-001A	CARTON		506U,506UN,506UH
	P 1	GE32782-001A	CARTON		508UF
	P 2	GE10202-002A	CUSHION FRONT		
	P 3	GE10203-001A	CUSHION REAR		
	P 4	QPC03504015P	POLY BAG	35cm x 40cm	
	P 5	FSPG4002-001	POLY BAG		
	P 6	QPA01502503	POLY BAG	15cm x 25cm	504UI,505U,505UN,505UH,506U,506UN,506UH,508UF
	P 7	QPA00801205	POLY BAG	8cm x 12cm	

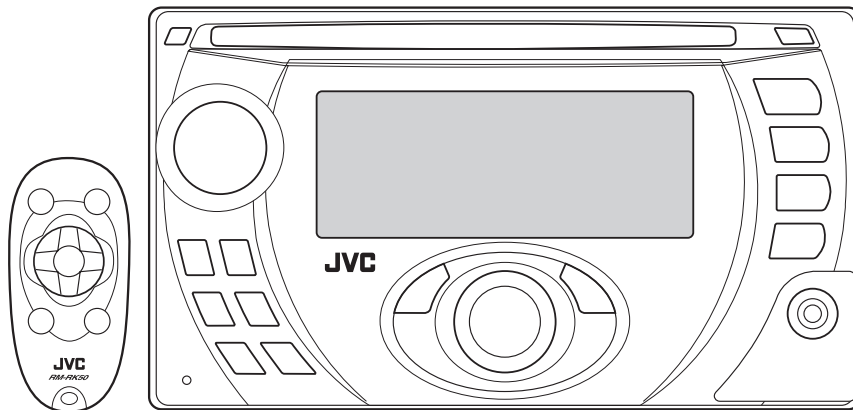
JVC

SCHEMATIC DIAGRAMS

CD RECEIVER

**KW-XG500J, KW-XG504UI, KW-XG505U
KW-XG505UN, KW-XG505UH, KW-XG506U
KW-XG506UN, KW-XG506UH, KW-XG508UF**

CD-ROM No.SML200706



(for KW-XG500)



WMA

MP3

* Please refer to the mechanism manual (model TN2007-1010, No.MY005, MY005B) for the CD mechanism.

Lead free solder used in the board (material : Sn-Ag-Cu, melting point : 219 Centigrade)

Lead free solder used in the board (material : Sn-Cu, melting point : 230 Centigrade)

Contents

Block diagram	2-1
Standard schematic diagrams	2-2
Printed circuit boards	2-5 to 6

Safety precaution

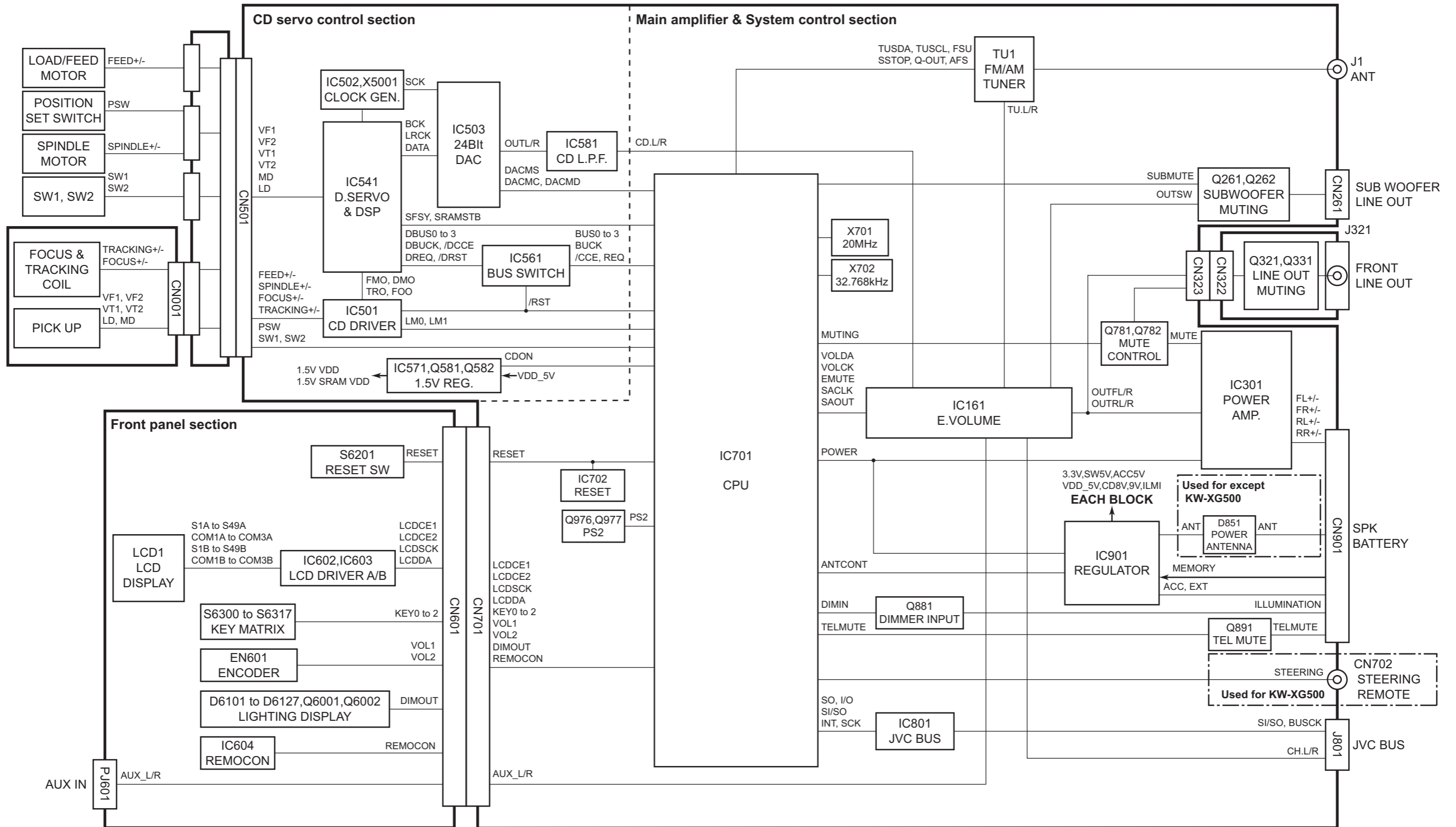


CAUTION Burrs formed during molding may be left over on some parts of the chassis. Therefore, pay attention to such burrs in the case of performing repair of this system.



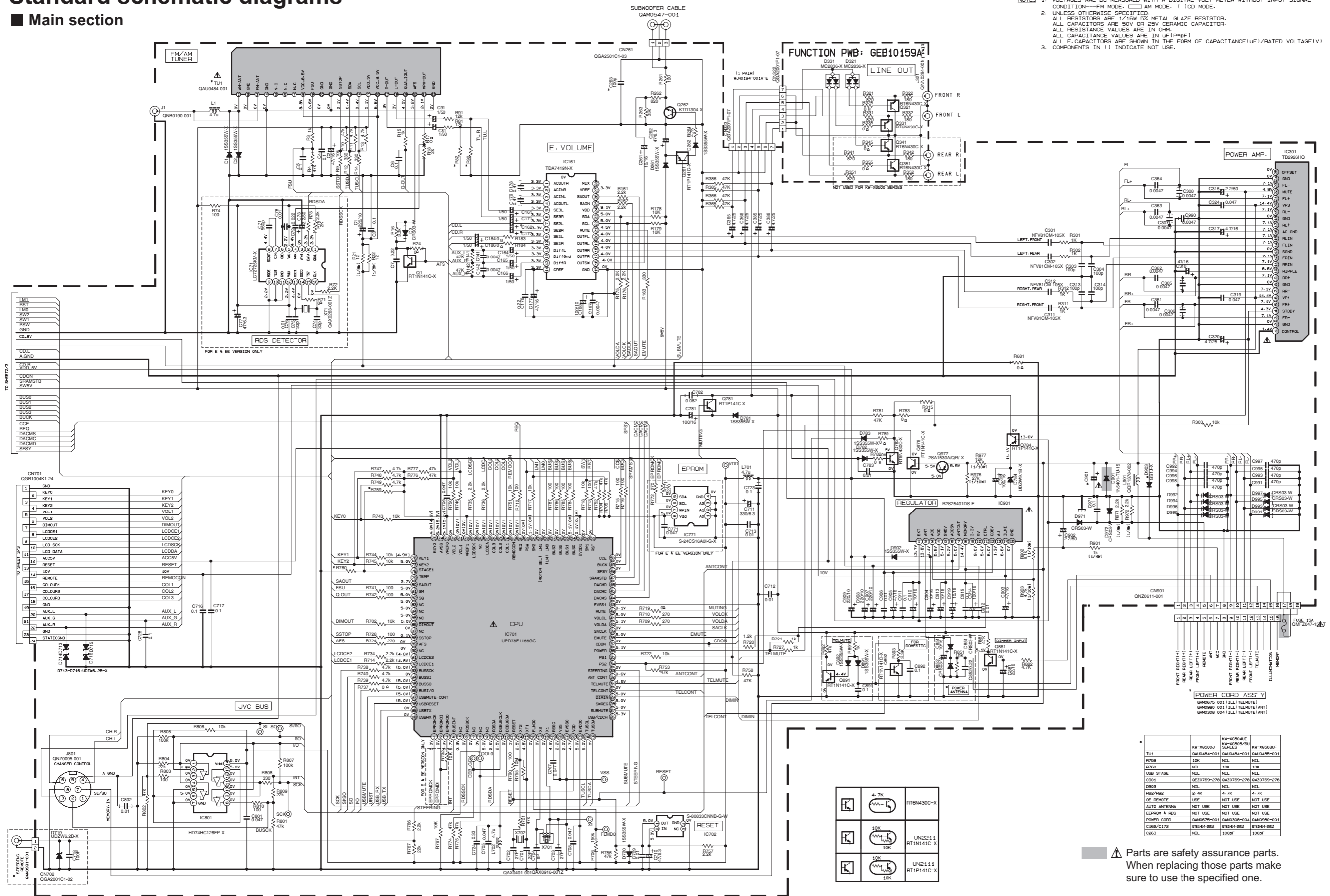
CAUTION Please use enough caution not to see the beam directly or touch it in case of an adjustment or operation check.

Block diagram



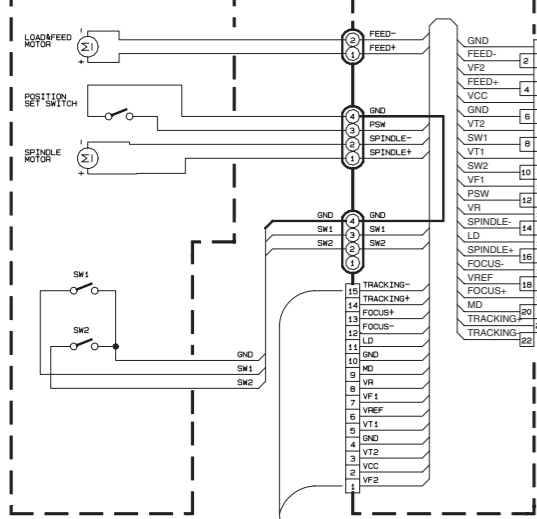
Standard schematic diagrams

Main section

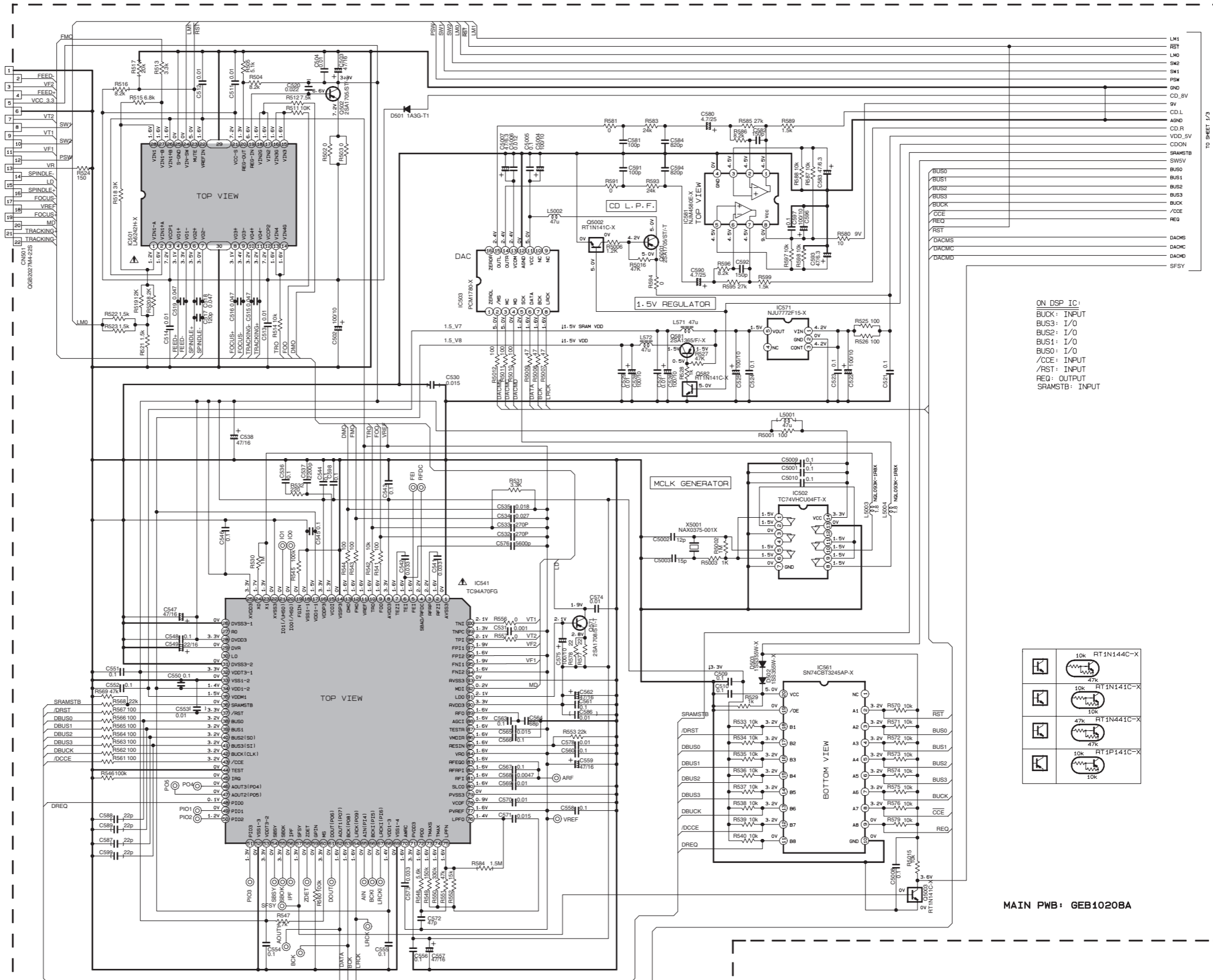
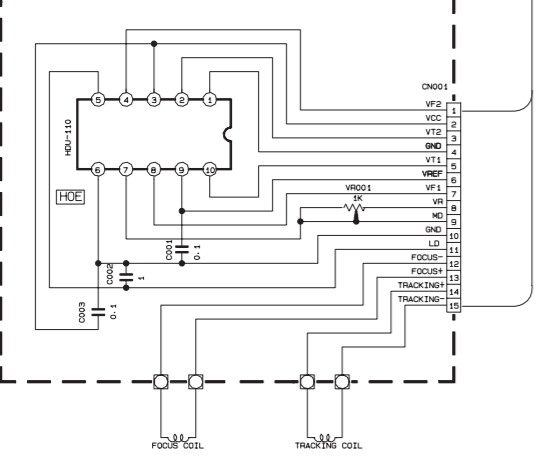


CD section

MECHA: GAL0812-001



PICK UP (OPTIMA-725)



ON DSP IC:
 BUCK: INPUT
 BUS3: I/O
 BUS2: I/O
 BUS1: I/O
 BUS0: I/O
 /CCE: INPUT
 /RST: INPUT
 REQ: OUTPUT
 SRAMSTB: INPUT

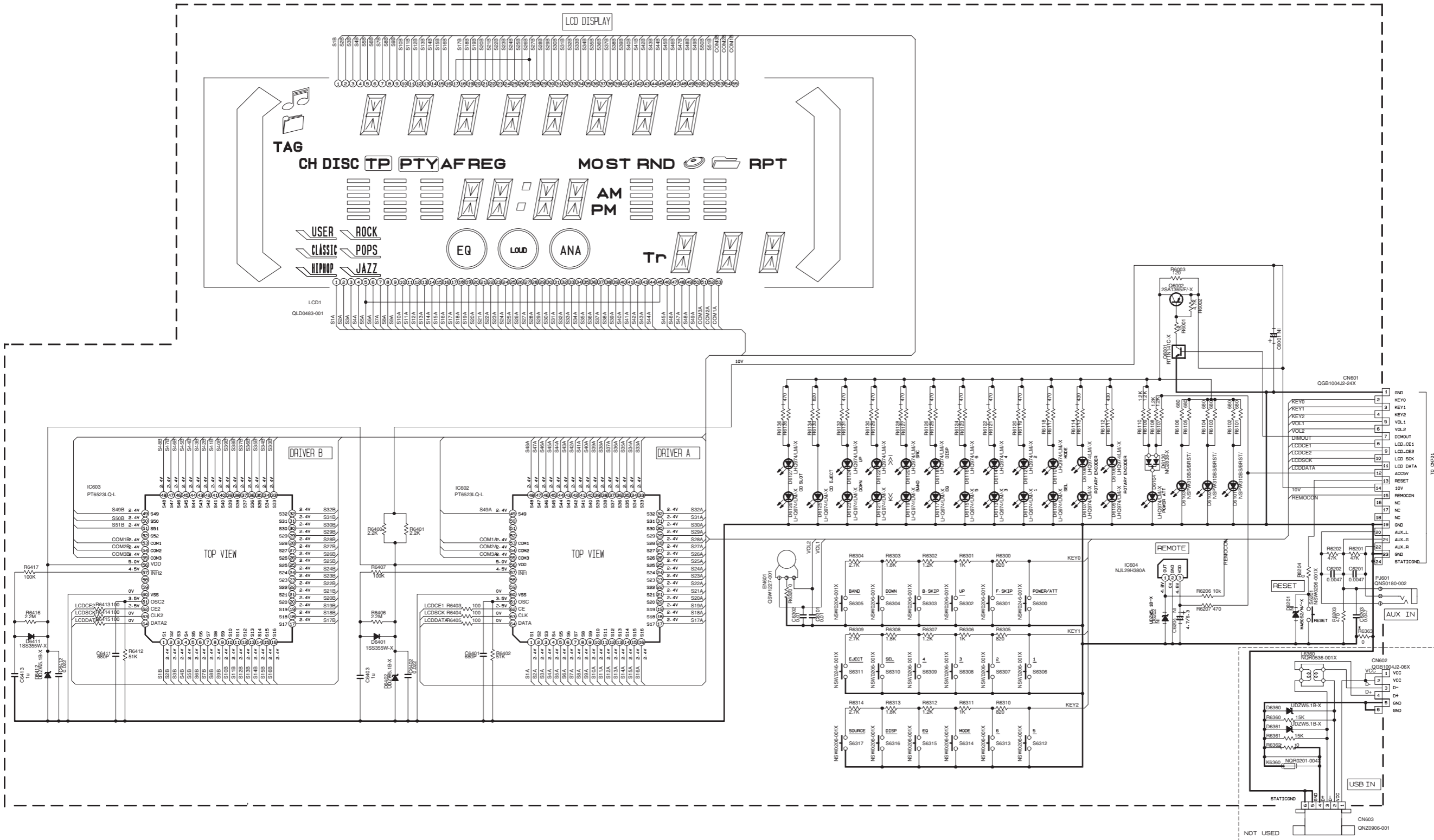
	10k	RT1N144C-X
	47k	RT1N141C-X
	10k	RT1N441C-X
	47k	RT1N441C-X
	10k	RT1P141C-X
	10k	

MAIN PWB: GEB1020BA

NOTES: 1. VOLTAGES ARE DC-MEASURED WITH A DIGITAL VOLT METER WITHOUT INPUT SIGNAL CONDITION—CD MODE.
 2. UNLESS OTHERWISE SPECIFIED, ALL RESISTORS ARE 1/16WATT METAL GLAZE RESISTOR. ALL CAPACITORS ARE 50V OR 25V CERAMIC CAPACITOR. ALL RESISTANCE VALUES ARE IN OHM. ALL CAPACITANCE VALUES ARE IN PPF (PICO FARAD). ALL E-CAPACITORS ARE SHOWN IN THE FORM OF CAPACITANCE (UF) / RATED VOLTAGE (V). NF — METALLIZED FILM CAPACITOR.
 3. COMPONENTS IN () INDICATE NOT USE.

Parts are safety assurance parts. When replacing those parts make sure to use the specified one.

■ LCD and Key control section



NOTES

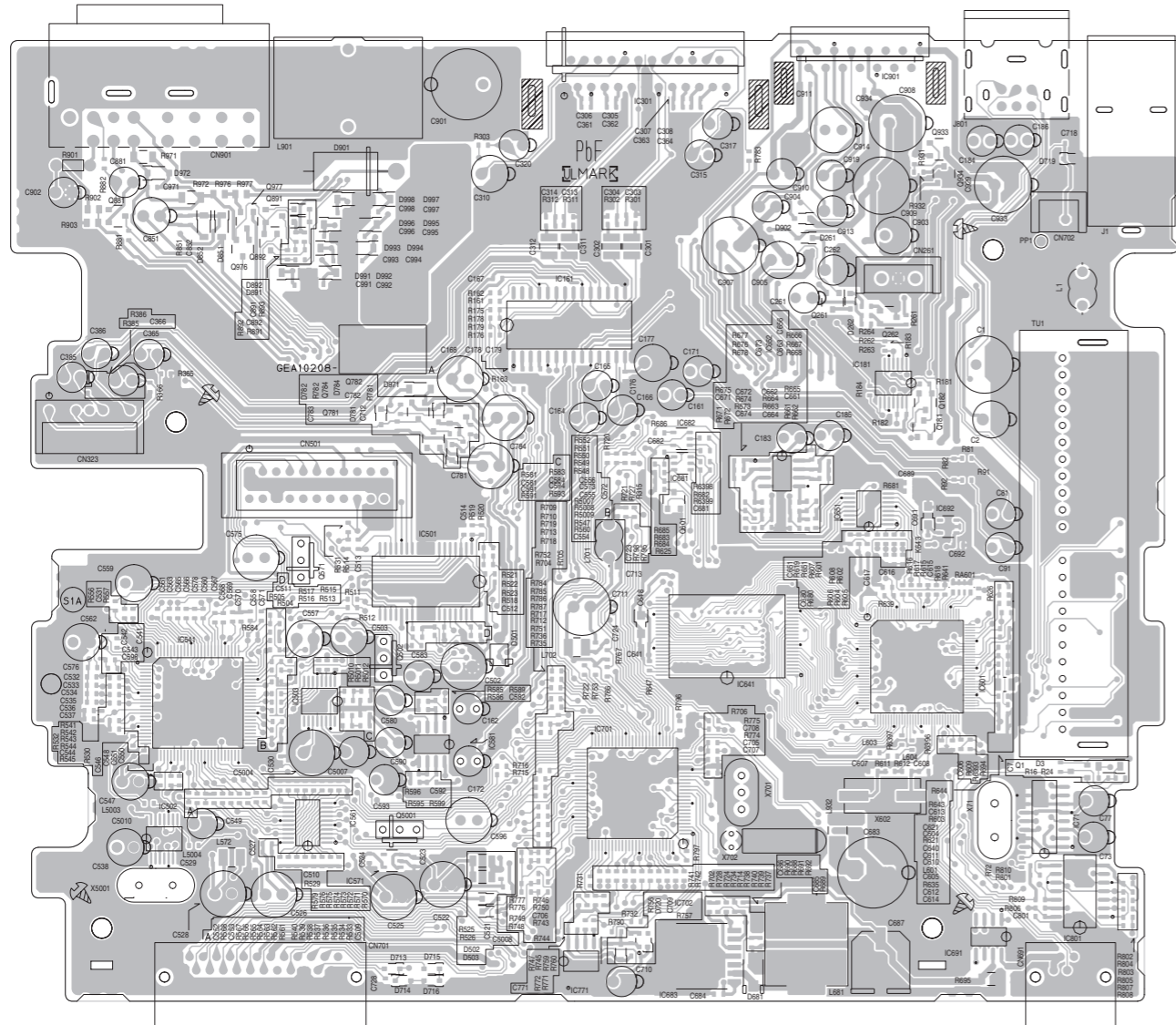
- VOLTAGES ARE DC-MEASURED WITH A DIGITAL VOLT METER WITHOUT INPUT SIGNAL. CONDITION --- FM MODE; □ AM MODE; | CD MODE; () TAPE MODE.
- UNLESS OTHERWISE SPECIFIED:
ALL RESISTORS ARE 1/16W OR 1/10W OR 1/8W ±5% METAL GLAZE RESISTOR.
ALL CAPACITORS ARE 50V OR 25V OR 16V CERAMIC CAPACITOR OR 50V MYLAR CAPACITOR.
ALL RESISTANCE VALUES ARE IN Ω(MΩ).
- ALL CAPACITANCE VALUES ARE IN #F(P=PF).
- ALL E-CAPACITORS ARE SHOWN IN THE FORM OF CAPACITANCE(μF)/RATED VOLTAGE (V).
- NI STANDS FOR NOT MOUNTED PARTS

KW-XG500J	KW-XG500JF
KW-XG500U	KW-XG500UJ
KW-XG500L	KW-XG500LJ
KW-XG500M	KW-XG500MJ
KW-XG500N	KW-XG500NJ
KW-XG500O	KW-XG500OJ
KW-XG500P	KW-XG500PJ
KW-XG500Q	KW-XG500QJ
KW-XG500R	KW-XG500RJ
KW-XG500S	KW-XG500SJ
KW-XG500T	KW-XG500TJ
KW-XG500V	KW-XG500VJ
KW-XG500W	KW-XG500WJ
KW-XG500X	KW-XG500XJ
KW-XG500Y	KW-XG500YJ
KW-XG500Z	KW-XG500ZJ
R6363	NOT USED
	USED

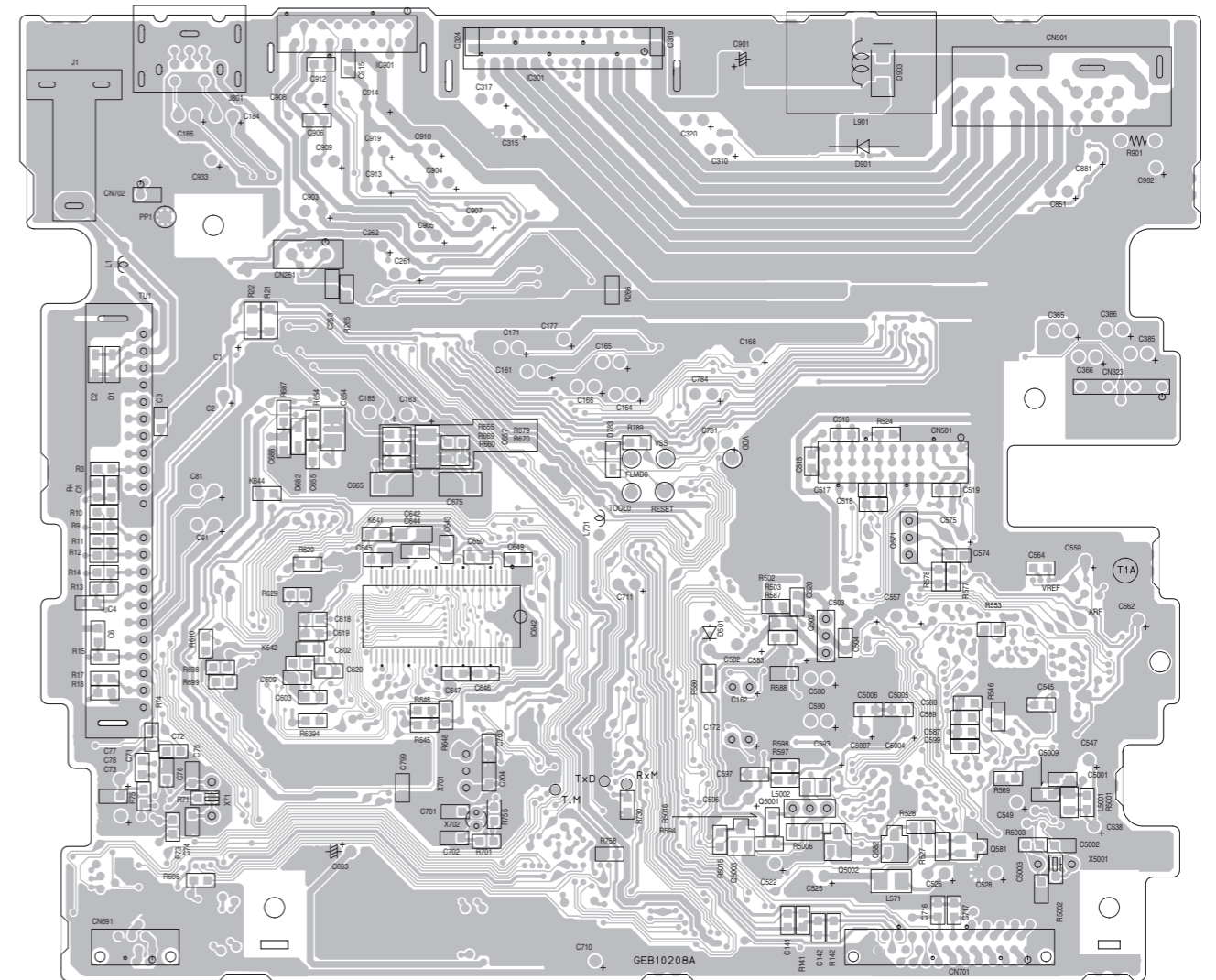
Printed circuit boards

- Main board
Lead free solder used in the board (material : Sn-Ag-Cu, melting point : 219 Centigrade)
Lead free solder used in the board (material : Sn-Cu, melting point : 230 Centigrade)

forward side



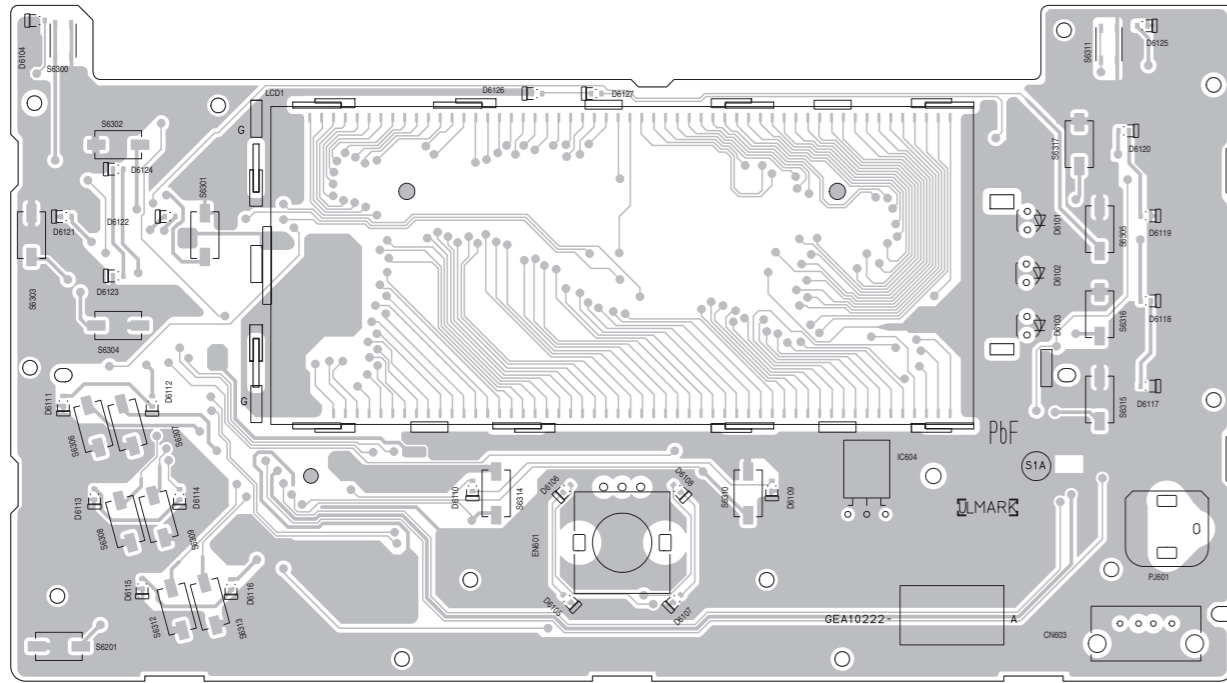
reverse side



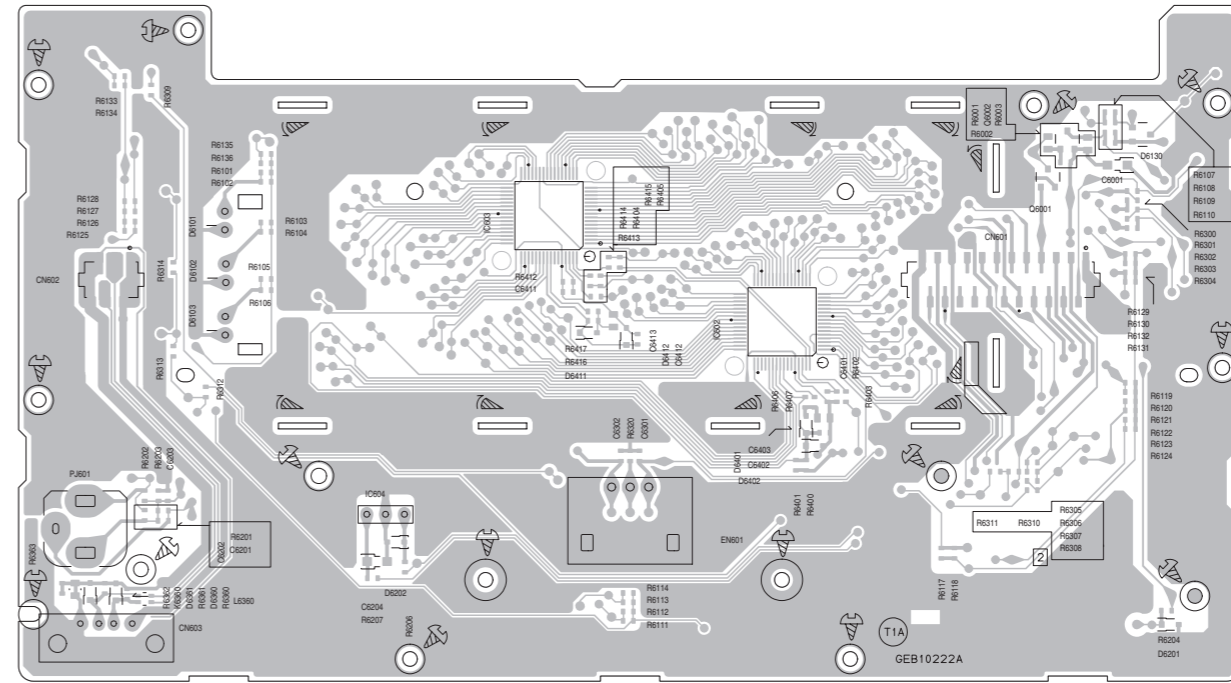
■ **Switch board** Lead free solder used in the board (material : Sn-Ag-Cu, melting point : 219 Centigrade)

Lead free solder used in the board (material : Sn-Cu, melting point : 230 Centigrade)

forward side

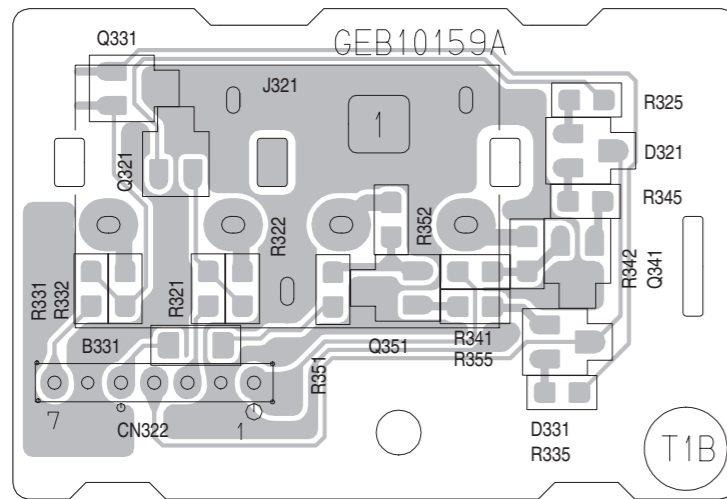


reverse side



■ **Function board** Lead free solder used in the board (material : Sn-Ag-Cu, melting point : 219 Centigrade)

Lead free solder used in the board (material : Sn-Cu, melting point : 230 Centigrade)



< MEMO >

JVC

Victor Company of Japan, Limited

Mobile Entertainment Business Group Mobile Entertainment Category 10-1, 1chome, Ohwatari-machi, Maebashi-city, Gumma-ken, 371-8543, Japan

(No.MA345SCH)



Printed in Japan
VPT